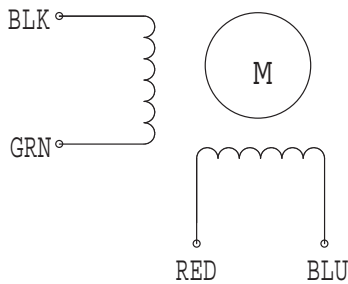


# HIGH TORQUE HYBRID STEPPING MOTOR SPECIFICATIONS

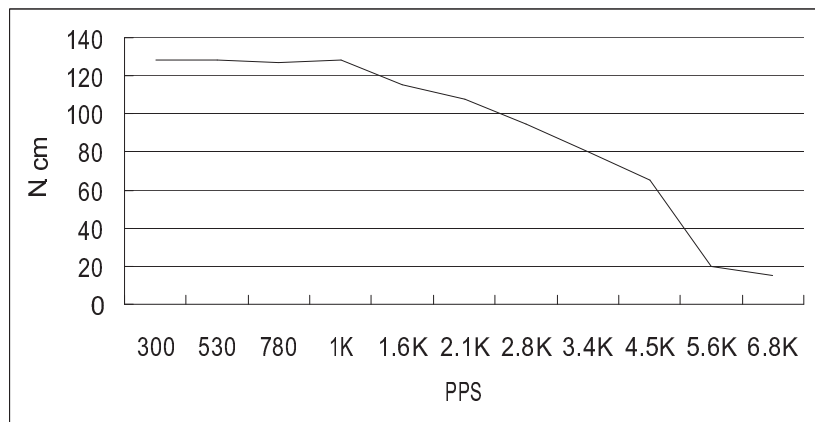
General specifications		Electrical specifications	
Step Angle (°)	1.8	Rated Voltage (V)	3.2
Temperature Rise (°C)	80 Max (rated current, 2 phase on)	Rated Current (A)	2.8
Ambient Temperature (°C)	-20 ~ +50	Resistance Per Phase (± 10% Ω)	1.13
Number of Phase	2	Inductance Per Phase (± 20% mH)	3.6
Insulation Resistance (MΩ)	100 Min (500VDC)	Holding Torque (N.cm)	189
Insulation Class	Class B	Weight (Kg)	1.05
Max.radial force (N)	75 (20mm from the flange)		
Max.axial force (N)	15		

● Wiring Diagram :



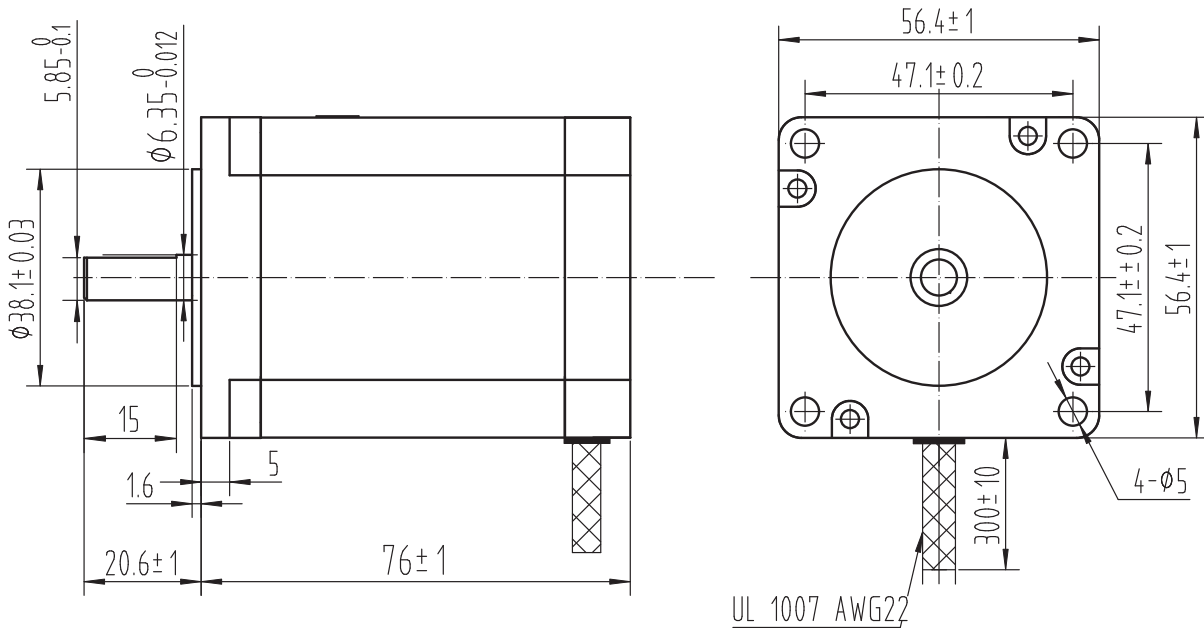
● Pull out torque curve :

VOLTAGE: 30VDC, CONSTANT CURRENT:2.8A, HALF STEP



● Dimensions:

(unit=mm)



REV	REVISIONS	DESCRIPTION	BY	DATE	SY57STH76-2804A	TECHNICAL CONDITIONS
DRAW	kongxiangzhen 2012.05.16				CHANGZHOU SONGYANG MACHINERY & ELECTRONICS NEW TECHNIC INSTITUTE	080076026
CHECK						
APPROVE						