

GSMA eSIM for IoT system on chip solution for IoT environment



VFD8FN8

6 x 5 mm, wettable
flanks (MFF2)



WLCSP24



Card plugin 2FF, 3FF or 4FF

Product status link

[ST4SIM-300M](#)

Features

- Remote SIM provisioning compliant with GSMA eSIM for IoT and TCA specifications
- Bootstrap connectivity profile provided by a trusted partner
- Up to 7 connectivity profiles (depending on memory size) (optional)
- Compliant with 2G / 3G / 4G (LTE) / CDMA / NB-IoT / CAT-M networks
- Network access applications supported: SIM / USIM / ISIM / CSIM
- Secure element access control (ARF / PKCS#15)
- OTA capability over SMS, CAT-TP & HTTPS (including DNS)
- Multi-Interfaces able to combine eSIM + eSE

Hardware

- Product available on ST33K1M5M
- ST33 product based on a 32-bit Arm® Cortex®-M35P CPU core
- Supply voltage: Supply voltage ranges: 1.8 V, 3 V
- Asynchronous serial I/O port ISO/IEC 7816-3 compatible (T=0 protocol)
- Serial peripheral interface (SPI), depending on packages
- Industrial qualification (JEDEC JESD47)
- Operating temperature: -40°C to +105°C
- Common Criteria EAL6+

ECOPACK-compliant packages

- Card plugin 2FF, 3FF, or 4FF
- VFD8FN8 5 × 6 mm, wettable flank (MFF2)
- WLCSP24

Security

- Symmetric cryptography DES / 3DES / AES
- Asymmetric cryptography RSA (up to 2048 bits)
- HTTPS remote management TLS v1.0, v1.1 and v1.2
- Elliptic curve cryptography (up to 521 bits) including preloaded curve NIST P-256 and brainpoolP256r1
- Authentication algorithm: MILENAGE, TUAK, CAVE and XOR

Software standard compliancy

- GSMA SGP.32 v1.1
- TCA interoperable profile v3.3.1
- Java® Card v3.0.5 Classic
- GlobalPlatform® card specification v2.3, including amendments B, C, D, E, F, and H
- ETSI, 3GPP and 3GPP2 release 17 (API Rel16)
- Power saving features (PSM & eDRX) defined by ETSI release 17

Applications

- Cellular Connected Nodes
- 5G, LTE, LTE-M and NB-IoT
- Surveillance
- IoT for smart home and city such as gas metering
- IoT for smart industry such as tracking

1 Description

The **ST4SIM-300M** is an STMicroelectronics top-class GSMA embedded SIM (eSIM or eUICC) product designed for all IoT devices.

It is compliant with the GSM Association (GSMA) specification SGP.32 v1.1.

The **ST4SIM-300M** can remotely manage profiles of different MNOs while ensuring the appropriate security level to all eUICC stakeholders (user, MNO, OEM, hardware integrator, service provider, and so on).

The device can include an embedded secure element to store credentials and/or independent applications directly managed by the MCU (or by another OEM element).

The device provides a secure and interoperable Java® Card environment compliant with Java® Card v. 3.0.5 Classic. Moreover, the device integrates the most advanced UICC features compliant with GlobalPlatform®, ETSI, 3GPP, 3GPP2 specifications.

The **ST4SIM-300M** integrates a dynamic memory management with Java® Card garbage collection mechanism optimizing the usage of the memory.

The **ST4SIM-300M** is based on the ST33K1M5M, an industrial grade hardware solution (JEDEC) supporting severe conditions. This solution is a tamper-resistant secure element certified by Common Criteria EAL6+, with a powerful 32-bit Arm® Cortex®-M35P CPU.

Note: Arm is a registered trademark of Arm Limited (or its subsidiaries) in the US and/or elsewhere.

Note: Java is a registered trademark of Oracle and/or its affiliates.

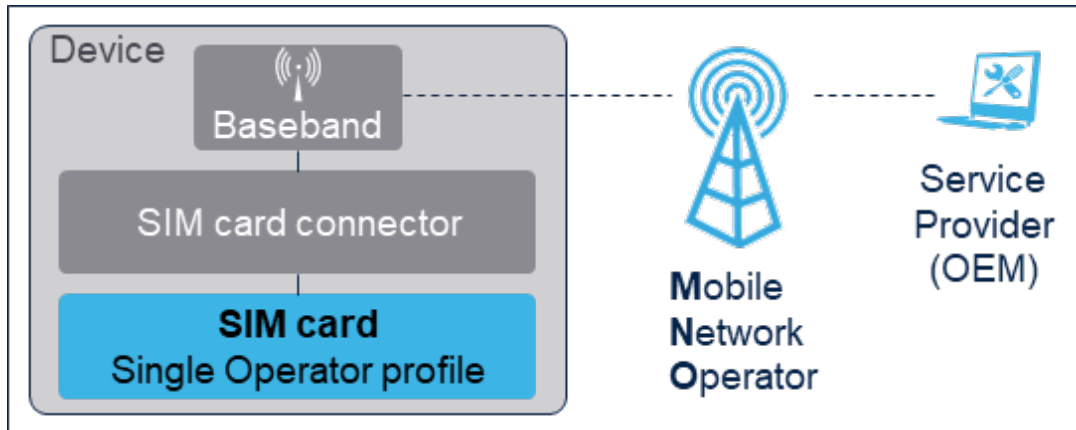



2 Cellular connectivity solutions overview

A cellular connectivity solution enables devices to be used by the edge mobile network operators (also called MNO) or mobile virtual network operators (MVNO). This solution increases network coverage and it maintains seamless connectivity.

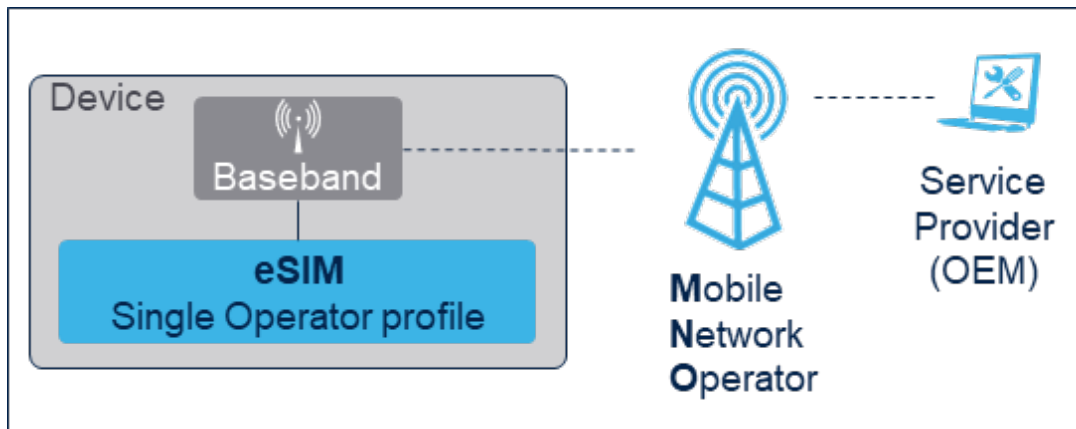
Moreover, a cellular solution is simple to deploy. This solution is mainly composed of the modem (baseband), the SIM card connector and the plastic SIM card. This is the traditional SIM concept inherited from the mobile phone.

Figure 1. SIM solution overview



It is also possible to have an embedded SIM (eSIM) solution. In this case, the SIM is soldered directly into the device. It reduces the board footprint and there is no need for a SIM connector.

Figure 2. eSIM solution overview



These traditional solutions are simple but the SIM / eSIM only supports one cellular connectivity profile at a time for one network operator. In this case, if the operator needs to be changed, the SIM / eSIM solution must be changed.

The eSIM GSMA solution extends this traditional SIM / eSIM solution.

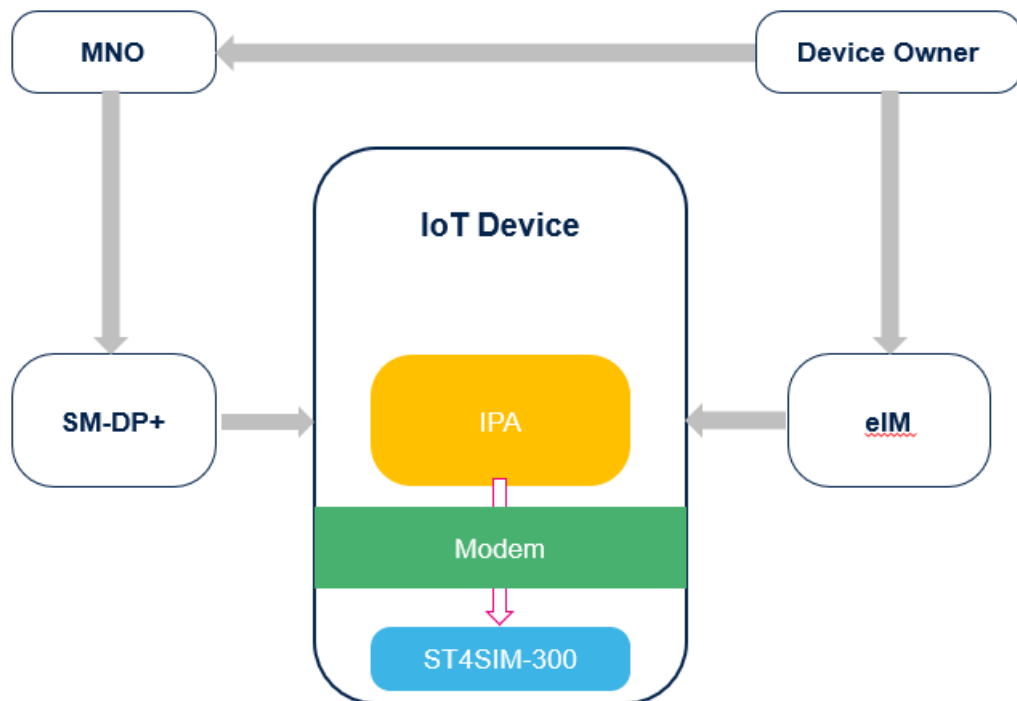
3 eSIM GSMA solution

The **ST4SIM-300M** is a eSIM GSMA solution: it is an SIM / eSIM solution compliant to eSIM specifications for IoT from GSM Association (GSMA). This solution integrates new secure architectures and complete ecosystem able to manage the cellular network connectivity remotely without impact on eSIM component.

Thanks to this eSIM technology, you can now deploy IoT devices on the field with one network connectivity and several times after, you can replace this connectivity by a new one through a platform. So, no need a product recall nor product maintenance.

This solution is flexible and independent of the end-user interaction. For IoT ecosystem, this solution is service-oriented; the profile is remotely controlled by the device owner in charge of the management of the device functionalities, and chooses the operator that is used to provide cellular connectivity.

Figure 3. eSIM for IoT GSMA solution overview



The eSIM IoT Remote Manager provides remote Profile State Management Operations (PSMO) on a single IoT Device or a fleet of IoT Devices.

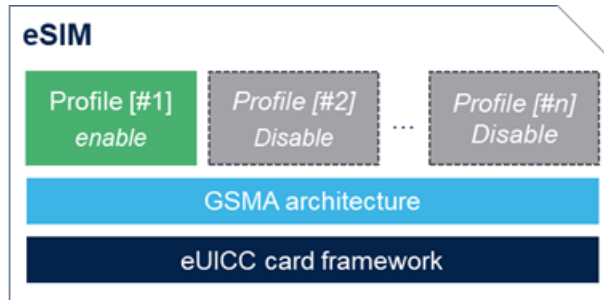
The eIM can either be a stand-alone component or a component of a higher-level functional system (e.g., device management platform).

The **ST4SIM-300M** offers a complete all ecosystem thanks to STMicroelectronics's trusted partners. Our partners provide the connectivity profile and the Subscription Management Platform to provision and remotely manage operator profiles. Contact your local STMicroelectronics sales office for more details on the STMicroelectronics's trusted partners.

Based on the secure hardware solution, certified Common Criteria EAL6+, the **ST4SIM-300M** is a solution being GSMA certified compliant GSMA IOT specification SGP.32 v1.1. It provides this flexible and scalable solution while maintaining the best level of security.

The **ST4SIM-300M** integrates GSMA architecture with the mechanisms performing profile management. A profile contains the operator network data related to a subscription (operator's credentials, file system, PINs/PUKs, Network Authentication, application...). Each profile is independent of the other profiles.

Figure 4. eSIM architecture overview



The **ST4SIM-300M** can host up to seven profiles. Each profile has the memory size available in the **ST4SIM-300M**, or can have a specific memory size coded using the cumulative granted memory defined by Global Platform amendment C.

This profile is described by TCA interoperable profile package specification.

The **ST4SIM-300M** fully supports TCA interoperable profile package v3.3.1. No proprietary features are introduced and profiles are coded according to ASN.1 / DER coding.

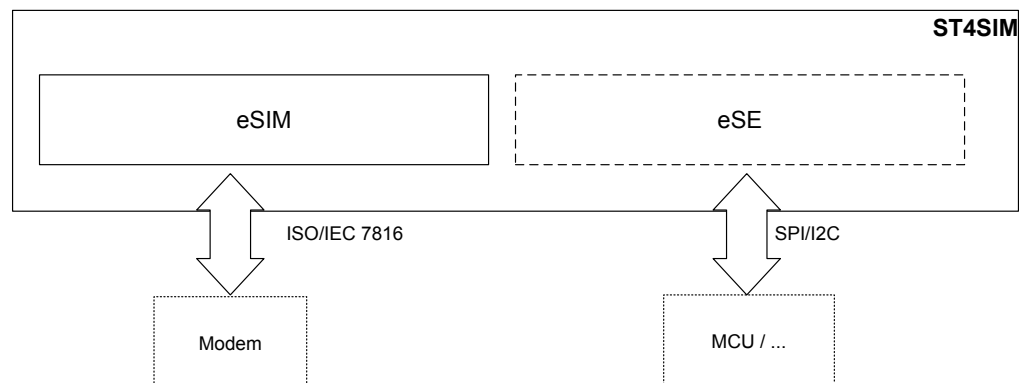
The **ST4SIM-300M** is an interoperable solution. The **ST4SIM-300M** already integrates most of main operators (MNO / MVNO) and it is possible to integrate any operator's profile or personalized profile compliant with the TCA specification.

4 Additional embedded secure element (eSE)

The **ST4SIM-300M** is a solution combining an eSIM with an embedded secure element (eSE) section inside the same chip.

This eSE section can be used to provide secure storage, cryptographic services, etc. via Java® Card applets.

Figure 5. ST4SIM-300M architecture eSIM & eSE overview



DT73955

The eSE section is accessible through a dedicated serial peripheral interface (SPI or I2C) protocol and the eSIM uses the ISO/IEC 7816 protocol in parallel. Consequently, the eSE is only available on WLCSP packages including ISO and SPI or I2C protocols.

The embedded secure element is optional and configurable.

Contact your local STMicroelectronics sales office for more details on the pin configuration.

5 Card OS technical features

5.1 Supported standards and networks

The **ST4SIM-300M** solution complies with the standard networks (3G/4G LTE/5G).

From a technical point of view, the **ST4SIM-300M** solution integrates all advanced NAAs for an eSIM solution:

- USIM applications providing access to universal mobile telecommunications system (UMTS) networks,
- IP multimedia services identity module (ISIM) to access IP multimedia subsystem (IMS) networks,
- CDMA subscriber identity module (CSIM) including the CAVE algorithm.

To grant mobile network operators (MNO) the best solution for UICC-centric services either owned by the MNO or by third parties, the **ST4SIM-300M** is compliant with GlobalPlatform® Card Specifications v2.3 (depending on the UICC configuration) and related amendments.

5.2 Algorithms and cryptography

The **ST4SIM-300M** supports the following standard authentication algorithms:

- COMP
- CAVE
- XOR
- MILENAGE
- TUAK

The MILENAGE algorithm enables authorized access to UMTS/LTE networks with an easy and flexible parameter customization, according to specific MNO requirements.

The TUAK authentication algorithm is supported with both 128-bit key length and 256-bit key length.

In addition to these algorithms, the **ST4SIM-300M** also supports the "3GPP test algorithm" for test profiles.

Besides standard symmetric cryptography and hashing algorithms (DES, Triple DES, AES, MD5, and so on), the **ST4SIM-300M** provides a cryptographic co-processor with asymmetric cryptography capabilities.

For applications requiring the strongest level of cryptography, the **ST4SIM-300M** supports:

- RSA with a key length of up to 2048 bits
- elliptic curve cryptography (ECC) with a key length of up to 521 bits.

In addition, the **ST4SIM-300M** fully supports the PKCS#15 standard and offers a rule-based access control mechanism such as digital signature/certificates for data/applications requiring a strong level of cryptography.

The security algorithm implementation adheres to the chip security guidelines of the ST33K1M5M to guarantee the best security level (for more information, contact the local STMicroelectronics sales office).

5.3 Over the air (OTA) functionality

The **ST4SIM-300M** supports over the air protocol for remote application management (RAM) and remote file management (RFM) compliant with ETSI standard (ETSI TS 102 225 and ETSI TS 102 226 specifications Release 17, API Release 16).

The RAM application is also fully supported by GlobalPlatform® v2.3 and the related amendment B (which enables remote applet management and remote file management over HTTP/TLS).

TLS v1.0, 1.1 and 1.2 are available in the **ST4SIM-300M**. In addition, the **ST4SIM-300M** integrates a DNS mechanism allowing the card to request the HTTPS server address from a DNS server.

The **ST4SIM-300M** is able to remotely control the execution of APDU commands over the air, to administrate the card content. It also allows proactive commands to interact with the host device.

The **ST4SIM-300M** supports the secured packet structure and the remote APDU structure for (U)SIM toolkit applications, conforming to 3GPP TS 31.115, and TS 31.116 specifications.

The CAT-TP protocol defined by ETSI release 13 is supported.

As it is compliant with the ETSI, 3GPP, and 3GPP2, the **ST4SIM-300M** can easily be integrated into any OTA platform compliant with the relevant standards. STMicroelectronics cards are field-proven to be interoperable with the mainstream OTA platforms commonly chosen by mobile network operators.

5.4 Memory management

The OTA mechanism includes the support of administrative commands as specified by ETSI TS 102 222. These commands are integrated by a powerful dynamic memory management that allows complete smart memory defragmentation.

Dynamic memory management provides:

- Common space for files, packages, applets, and objects
- Memory recovery on deletion operations
- Total free memory available in the select MF response.

The OTA mechanism is designed to allow a very fast and silent memory recovery, absolutely safe for the end user data.

The **ST4SIM-300M** is capable of enhancing intrinsic flash memory cells for files requiring intense update and high reliability.

A memory quota mechanism based on the GlobalPlatform Amendment C (CGM) is supported. The mechanism can be disabled at card configuration.

Volatile memory management is based on an STMicroelectronics patented mechanism that optimizes the available resources for the enabled profile while allowing resources for the downloading profile and the disabled profiles.

6 Electrical characteristics

This section summarizes the operating and measurement conditions, and the DC and AC characteristics of the device. The parameters in the DC and AC characteristics tables that follow are derived from tests performed under the measurement conditions summarized in the relevant tables.

The users must check that the operating conditions in their circuit match the measurement conditions when relying on the quoted parameters.

6.1 Absolute maximum ratings

Table 1. Absolute maximum ratings

Symbol	Parameter	Value	Unit
V _{CC}	Supply voltage	1.8 to 3.0	V
V _{IO}	Input or output voltage relative to ground	-0.3 to V _{CC} +0.3	V
T _A	Ambient operating temperature	-40 to +105	°C
T _{STG}	Storage temperature (Please refer to package specification)	-65 to +150	°C
T _{LEAD}	Lead temperature during soldering	See ⁽¹⁾	°C
V _{ESD}	Electrostatic discharge voltage according to JESD22-A114, Human Body Model	4000	V

1. Compliant with JEDEC standard J-STD-020D (for small-body, Sn-Pb or Pb-free assembly), the ST ECOPACK® 7191395 specification, and the European directive on Restrictions on Hazardous Substances (RoHS directive 2011/65/EU of July 2011).

Note: Stresses listed above may cause permanent damage to the device. This is a stress rating only and functional operation of the device at these or any other conditions above those indicated in the operational sections of the specification is not implied.

Exposure to absolute maximum rating conditions for extended periods may affect device reliability.

6.2 Recommended power supply filtering

The power supply of the circuit must be filtered using the circuit shown in the following figure.

Figure 6. Recommended filtering capacitors on V_{CC}

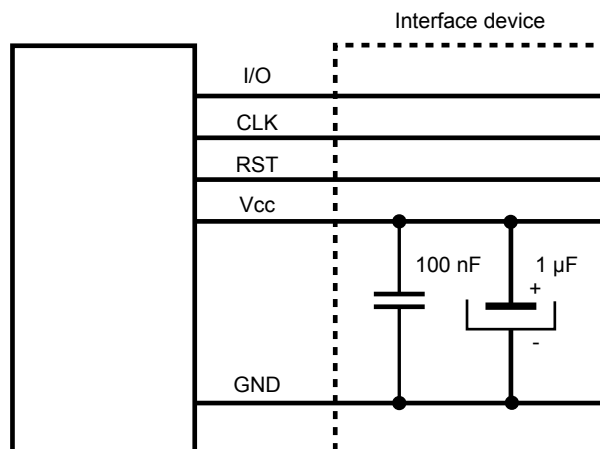


Table 2. Maximum V_{CC} rising slope

Symbol	Parameter	Value	Unit
S_{VCC}	Maximum V_{CC} rising slope	5	V / μ s

6.3 AC and DS characteristics

These characteristics are compliant with ETSI TS 102 671 release 17.

7 Package information

In order to meet environmental requirements, ST offers these devices in different grades of **ECOPACK** packages, depending on their level of environmental compliance. ECOPACK specifications, grade definitions and product status are available at: www.st.com. ECOPACK is an ST trademark.

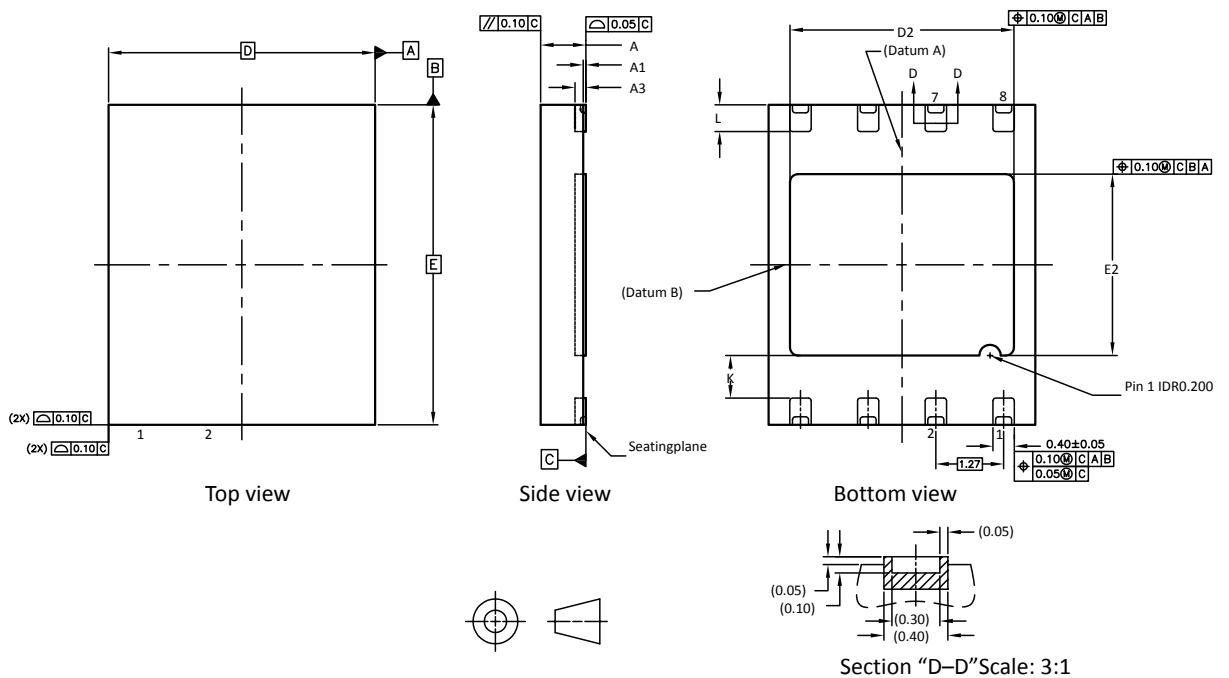
7.1 VFDFPN8 with wettable flanks (MFF2)

This package is qualified in compliance with JEDEC J-STD-020D and MSL 1 specifications.

It is also compliant with MFF2 (Machine-to-machine form factor 2) ETSI specifications (M2M UICC - TS102.671).

VFDFPN8 is a "very thin fine pitch dual flat package no lead" with wettable flanks package with 5 × 6 mm and 1.27 mm pitch.

Figure 7. VFDFPN8 - outline



Note: Drawing is not to scale.

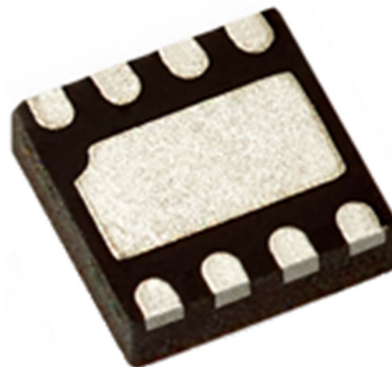
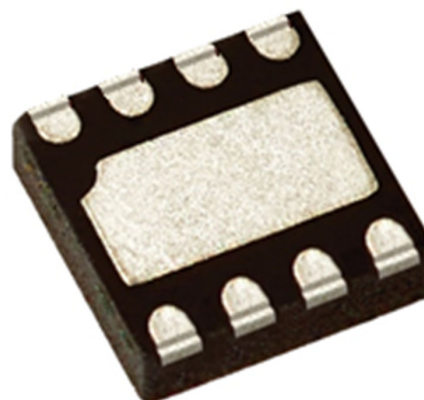
Table 3. VFDFPN8 - mechanical data

Symbol	Millimeters			Inches ⁽¹⁾		
	Min	Typ	Max	Min	Typ	Max
A	0.700	0.850	1.000	0.0276	0.0335	0.0393
A1	0	0.020	0.050	0	0.0008	0.0012
A3	-	0.200	-	-	0.0079	-
b	0.350	0.400	0.480	0.0138	0.0157	0.0189
D	-	5.000	-	-	0.1969	-
E	-	6.000	-	-	0.2362	-
e	-	1.270	-	-	0.0500	-
L	0.400	0.500	0.600	0.0157	0.0197	0.0236
D2	4.100	4.200	4.300	0.1614	0.1654	0.1693
E2	3.300	3.400	3.500	0.1299	0.1339	0.1378

1. The dimensions are converted from mm and rounded to 4 decimal digits.

7.1.1 Wettable flank for formation of inspectable solder joint

This package is constructed with wettable flank that guarantees the board level solder joint quality and inspectability.

Figure 8. Regular VFDFPN8 package without wettable flank

Figure 9. VFDFPN8 package with wettable flank


This package is compliant with the Machine to Machine Form Factor defined by ETSI in TS 102 671.

7.2 Pinout information

This package is compatible with the MFF2 package defined by ETSI 102 671 release 17.

Figure 10. VFDFPN8 pinout (top view)

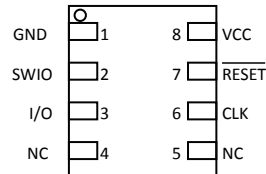
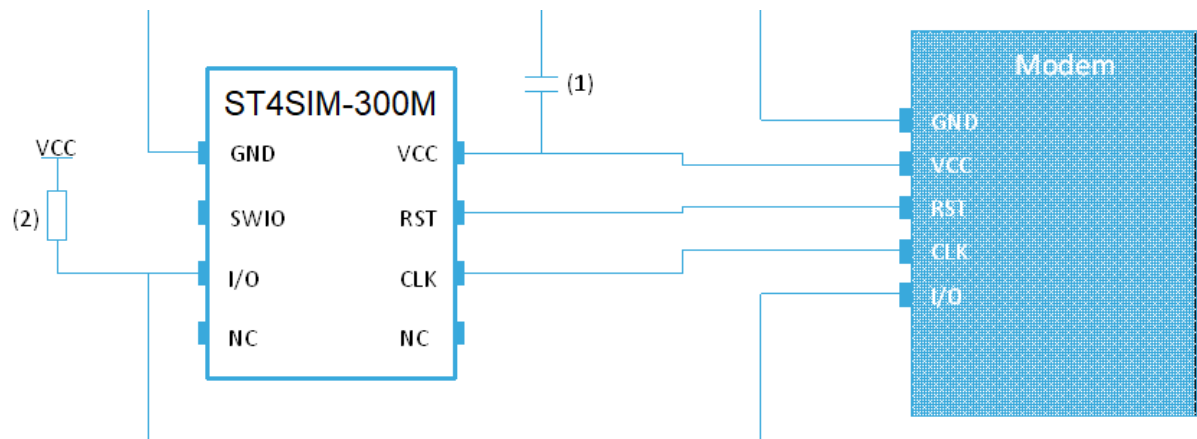


Table 4. Pin descriptions

Name	Description	Pin state
GND	Ground supply	-
SWIO	Not used	Input pull-up
RESET	External reset	Input pull-down
I/O	Input/output	Pull-down then pull-up after card activation
CLK	External clock	Pull-down
VCC	Power supply	-
NC	Not connected internally	-

Figure 11. ST4SIM-300M PCB integration recommendations



- Note:**
1. C1 decoupling capacitors as recommended in [Figure 6](#).
 2. R1: 20 kΩ external pull-up recommended on I/O.

7.3 VFDFPN8 tape and reel packing

Surface-mount packages are available in tape and reel packing. The reels have a 13" nominal diameter and contain 4000 devices each.

Reels are in, either antistatic or conductive, plastic with a black conductive cavity tape. The cover tape is transparent antistatic or conductive.

The devices are positioned in the cavities with the identifying pin (normally Pin "1") on the same side as the sprocket holes in the tape.

The STMicroelectronics Tape & Reel specifications are compliant to the EIA 481-A standard specification.

Table 5. Packing on tape and reel

Package	Description	Tape width	Tape pitch	Reel diameter	Quantity per reel
DFN8 5 x 6	Flat package, no lead 5 x 6 mm.	12 mm	8 mm	13 in.	4000

Figure 12. 13" reel diagram

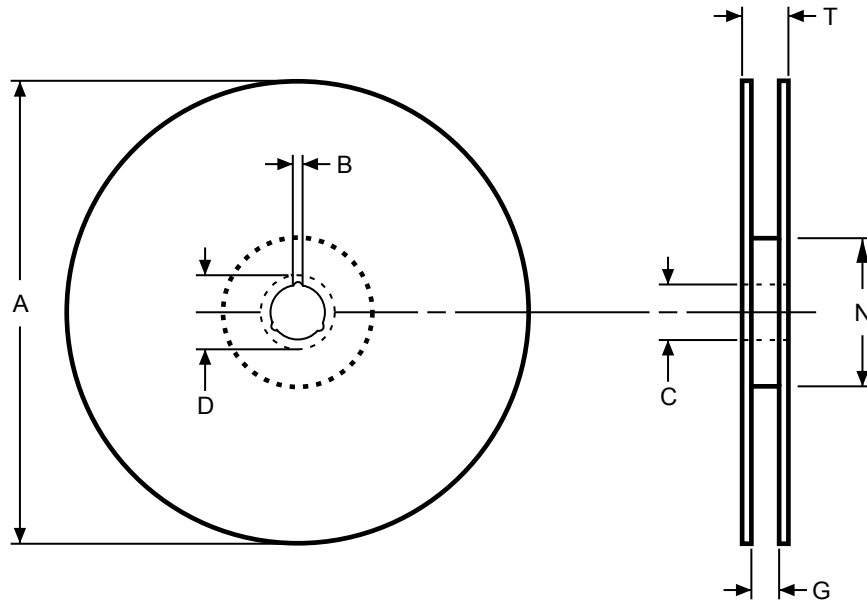


Table 6. 13" reel dimensions

Reel size	Tape size	A max	B min	C	D min	G max	N min	T max	Unit
13"	12 mm	330	1.5	13 ±0.25	20.2	12.6	100	18.4	mm

Figure 13. Leader and trailer

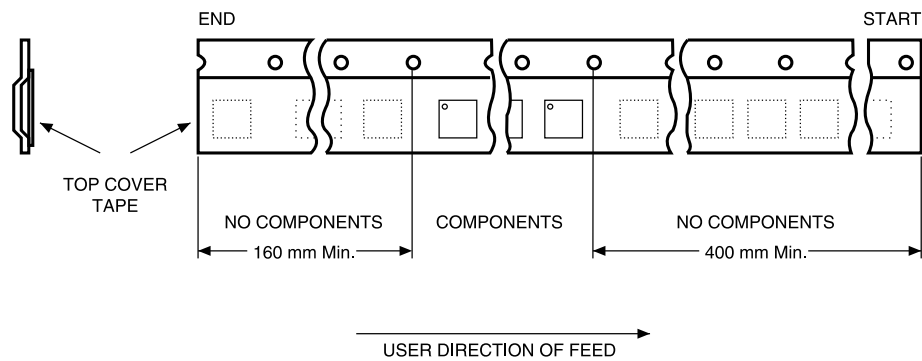
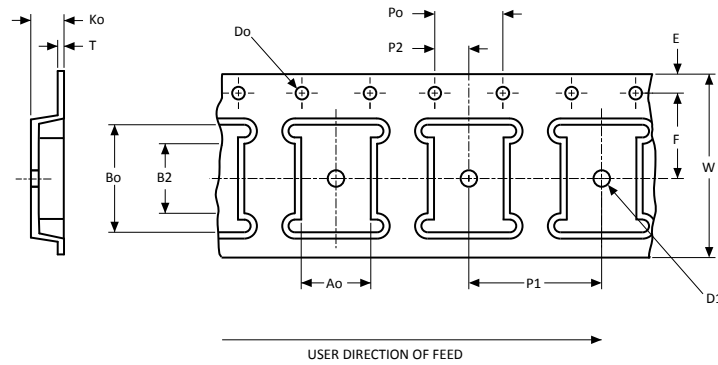
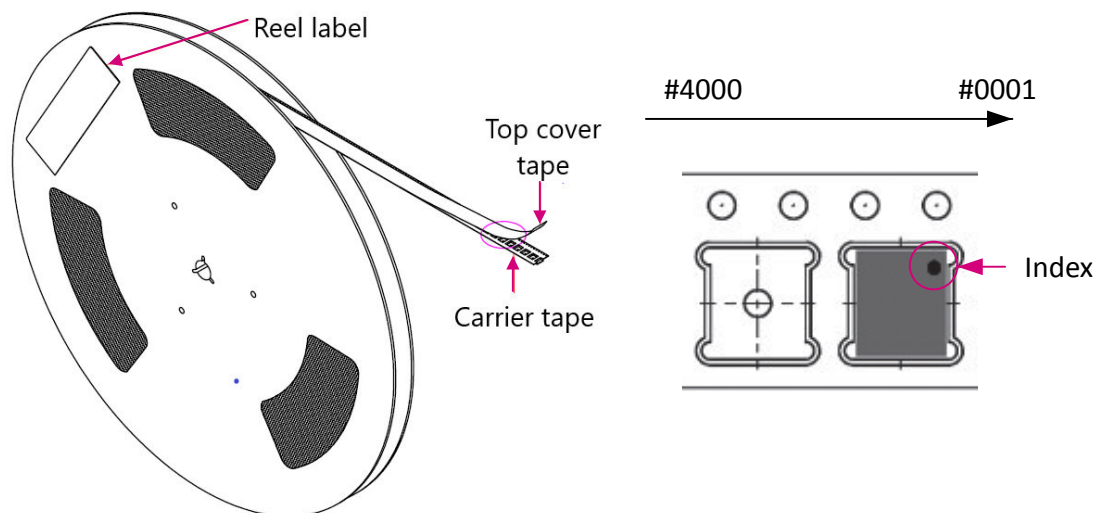


Figure 14. Embossed carrier tape for DFN8 (5 × 6 mm)



- Note:**
1. Cumulative tolerance of 10 sprocket hole pitch = ± 0.20 mm.
 2. Pocket position relative to sprocket hole is measured as the true position of the pocket, not the pocket hole.
 3. A0 and B0 are calculated on a plane at a distance "R" above the bottom of the pocket.
 4. Unless otherwise specified, all dimensions are in millimeters, and decimal values of the form x.x are with ± 0.2 tolerance whereas values of the form x.xx are with ± 0.10 tolerance.
 5. Drawing is not to scale

Figure 15. Component orientation



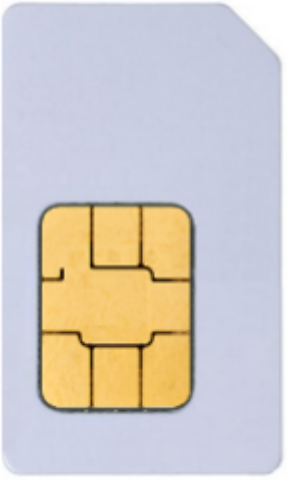

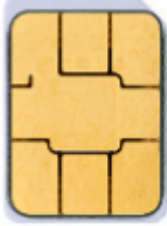
7.4 2FF, 3FF, or 4FF plugin card package information

The **ST4SIM-300M** card is based on flexible plastic chip cards, composed of ABS and Polycarbonate, improving all-round resistance in an industrial environment. This card contains a STMicroelectronics industrial grade micromodule.

All elements, card and micromodule, are designed to run at a temperature of -40°C to $+105^{\circ}\text{C}$.

The ST4SIM-300M is available for different card plugin packages as detailed in the table below.

Table 7. SIM plugin package types and dimensions

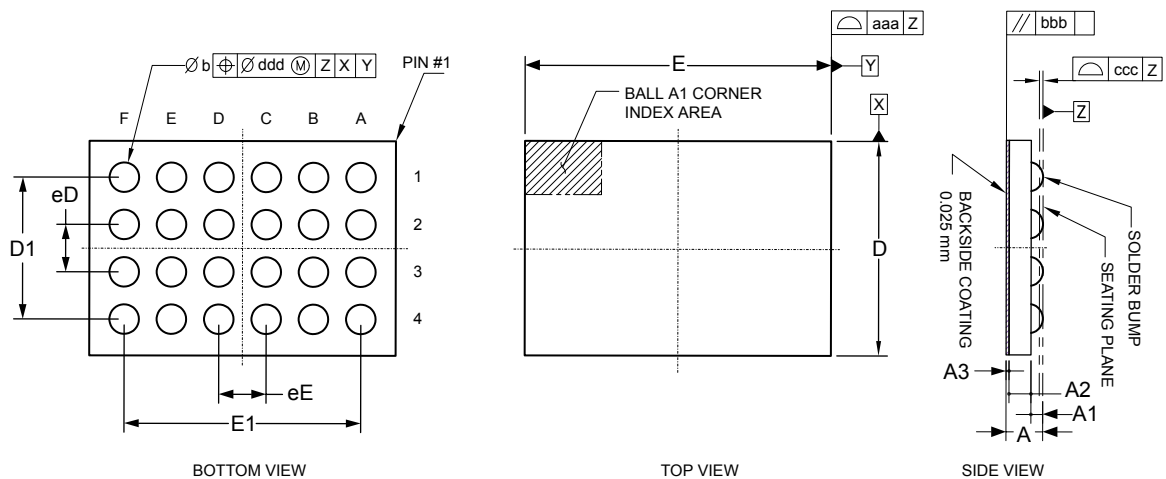
Package	Mini SIM (2FF)	Micro SIM (3FF)	Nano SIM (4FF)
Package format			
Height	25 mm (± 0.1 mm)	15 mm (± 0.1 mm)	12.3 mm (± 0.1 mm)
Width	15 mm (± 0.1 mm)	12 mm (± 0.1 mm)	8.8 mm (± 0.1 mm)
Thickness	0.76 mm (± 0.08 mm)	0.76 mm (± 0.08 mm)	0.67 mm (+ 0.03 mm / - 0.07 mm)

Note: These formats comply to the ISO/IEC 7810 and ETSI TS 102 221 standards.

7.5 WLCSP24 package information

This WLCSP is a 24-ball, 1.812 × 2.589 mm, 0.40 mm pitch, wafer level chip scale package.

Figure 16. WLCSP24 - Outline



1. Drawing is not to scale.
2. Dimension is measured at the maximum bump diameter parallel to primary datum Z.
3. Primary datum Z and seating plane are defined by the spherical crowns of the ball.
4. Ball position designation as per JESD 95-1, SPP-010.

Table 8. WLCSP24 - Mechanical data

Symbol	Millimeters			Inches ⁽¹⁾		
	Min.	Typ.	Max.	Min.	Typ.	Max.
A	0.290	0.310	0.330	0.0114	0.0122	0.0129
A1	0.090	0.100	0.100	0.0035	0.0039	0.0039
A2	0.173	0.185	0.198	0.0068	0.0072	0.0078
A3 ⁽²⁾	-	0.025	-	-	0.0010	-
b ⁽³⁾	0.225	0.250	0.275	0.0088	0.0098	0.0108
D	1.787	1.812	1.837	0.0703	0.0713	0.0723
E	2.564	2.589	2.614	0.101	1.0102	0.103
eD	-	0.400	-	-	0.0157	-
eE	-	0.400	-	-	0.0157	-
D1	-	1.200	-	-	0.0472	-
E1	-	2.000	-	-	0.0787	-
aaa	-	-	0.030	-	-	0.0012
bbb	-	-	0.060	-	-	0.0023
ccc	-	-	0.050	-	-	0.0020
ddd	-	-	0.015	-	-	0.0006

1. Values in inches are converted from mm and rounded to 3 decimal digits.
2. Back side coating.
3. Dimension is measured at the maximum bump diameter parallel to primary datum Z.

7.5.1 PCB design and reflow recommendations

The recommendations provided in this section apply to the WLCSP package only and must be considered as development guidance for PCB designer. It is linked to ST's package development and qualification procedure; as a result it must be fine-tuned and adapted according to customer process.

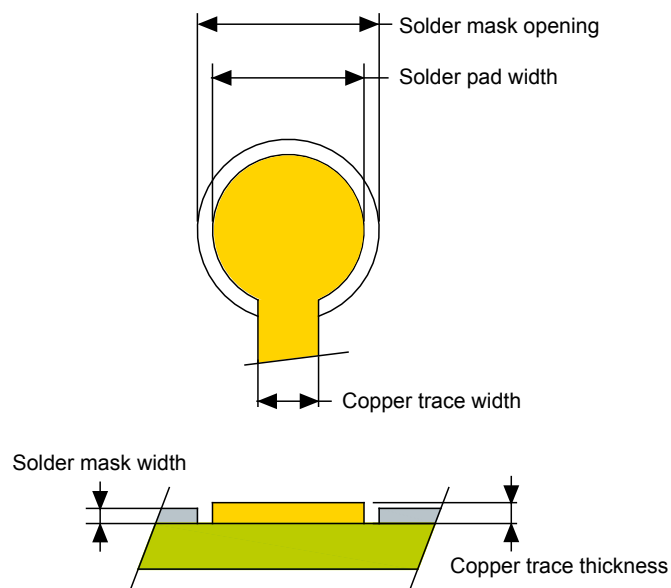
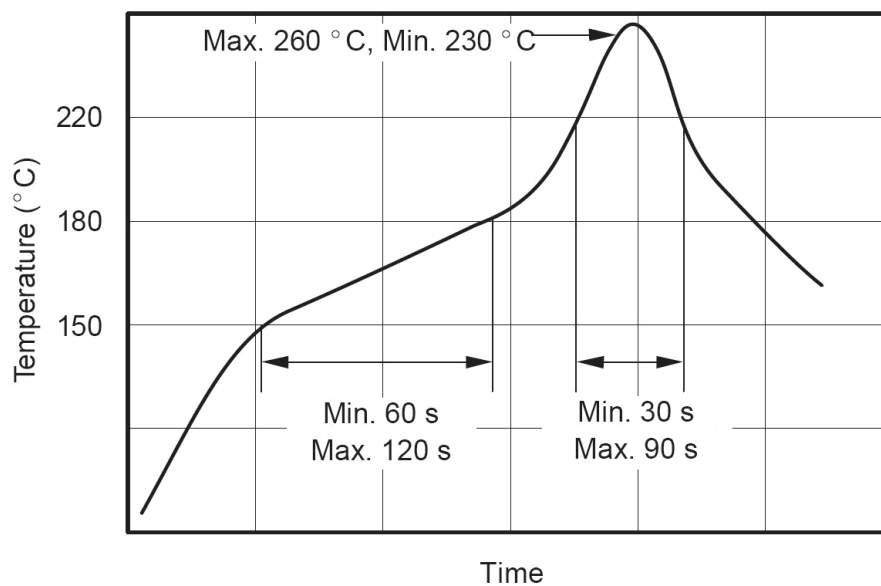
Figure 17. PCB landing pattern


Table 9. WLCSP24 - Recommended PCB design rules

Dimension	Recommended values
Pitch	0.400 mm
Solder pad width	0.225 mm
Solder mask opening	0.275 mm
Solder mask thickness	0.025 mm
Copper trace thickness	0.030 mm
Copper trace width	0.080 mm

This package is compliant with the IPC/JEDEC J-STD-020D specifications.

The ST WLCSP is ECOPACK compliant: In order to meet environmental requirements, ST offers ECOPACK packages. These packages have a lead-free second-level interconnect. The category of second-level interconnect is marked on the package and on the inner box label, in compliance with JEDEC Standard JESD97. The maximum ratings related to soldering conditions are also marked on the inner box label. ECOPACK is an ST trademark. ECOPACK specifications are available at www.st.com.

Figure 18. Reflow soldering temperature profile


The previous figure shows the reflow soldering temperature profile (°C versus time) and the table below provides the critical reflow parameters (typical values).

Table 10. Critical reflow parameters

Parameter	Value (typical)
Process step Lead-free solder: Ramp rate	3 °C/s
Pre-heat	150 °C to 180 °C, 60 to 180 seconds
Time above liquidus (TAL)	220 °C, 30 to 90 seconds
Peak temperature	255 °C ±5 °C
Time within 5 °C of peak temperature	10 to 20 seconds
Ramp-down rate	6 °C/s maximum

7.5.2 WLCSP24 tape and reel packing

Surface-mount packages can be supplied with tape and reel packing. The reels have a 13" typical diameter. They contain 5000 devices each.

Reels are in plastic, either antistatic or conductive, with a black conductive cavity tape. The cover tape is transparent antistatic or conductive.

The devices are positioned in the cavities with the identifying pin (normally Pin "1") on the same side as the sprocket holes in the tape.

The STMicroelectronics tape and reel specifications are compliant with the EIA 481-A standard specification.

Table 11. WLCSP24 on tape and reel

Package	Description	Tape width	Tape pitch	Reel diameter	Quantity per reel
WLCSP24	Wafer-length chip-scale package	12 mm	8 mm	13"	5000

Figure 19. WLCSP reel diagram

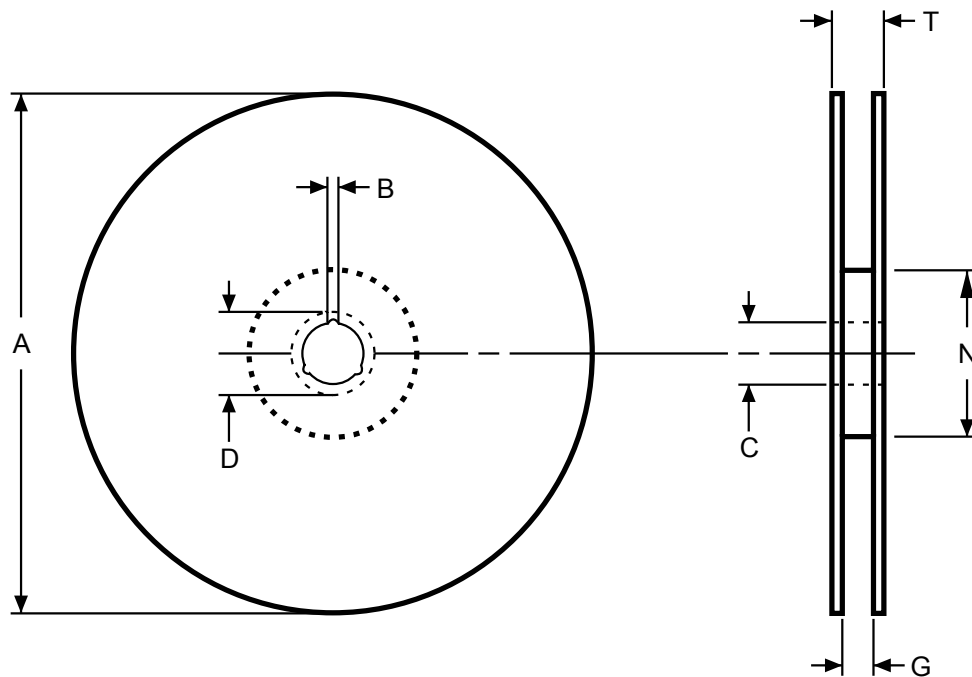
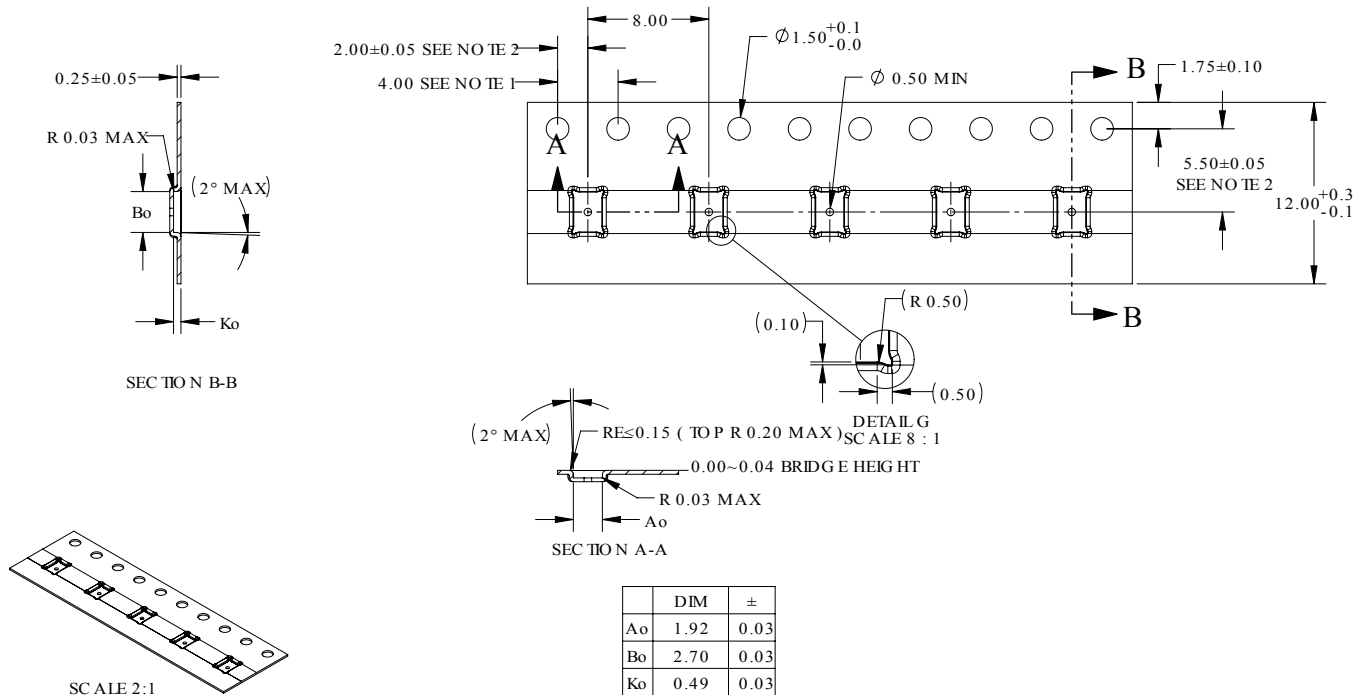


Table 12. WLCSP reel dimensions

Reel size	Tape size	A Max.	B Min.	C	D Min.	G Min.	N Min.	T Max.	Unit
13"	12	330	1.5	13 ±0.25	20.2	12.6	100	18.4	mm

Figure 20. WLCSP24 carrier tape


- Note:**
1. 10 sprocket hole pitch cumulative tolerance ± 0.2 .
 2. Pocket position relative to sprocket hole measured as true position of pocket, not pocket hole.
 3. Ao and Bo are measured on a plane at a distance "R" above the bottom of the pocket.
 4. Dimensions are in millimeters.
 5. Tolerances, unless specified: ± 0.2 for 1 decimal place; ± 0.10 for 2 decimal places.
 6. Drawing is not to scale.

7.5.3 Additional communication interface of WLCSP24

When the WLCSP24 package is used, an additional communication interface (I2C or SPI) is available depending on the chip configuration.

The I2C interface supports the Standard mode (up to 100 kbps), the Fast mode (up to 400 kbps) and the Fast+ mode (up to 1 Mbps). The ST4SIM-300M system on chip only supports a single shared supply for device and I2C bus.

The SPI interface runs at up to 30 MHz at 1.8 V and at 3 V.

Both interfaces support GlobalPlatform specification "APDU Transport over SPI/I2C" 1.0. The table below provides the WLCSP24 package pinout.

Table 13. WLCSP24 package pinout

IO PIN	ISO+I2C (default)	ISO+SPI config
IO0	Not used	SPI_MISO
IO1	ISO2_CLK	SPI_CLK
IO2	ISO2_RST	SPI_NSS
IO3	Not used	SPI_MOSI
IO4	Not used	ISO1_RST
IO5	I2C_SCL	ISO1_CLK
IO6	I2C_SDA	ISO1_IO
IO7	Not used	Not used
IO8	Not used	Not used
IO9	ISO2_IO	Not used

Revision history

Table 14. Document revision history

Date	Revision	Changes
23-Feb-2024	1	Initial release.
16-May-2024	2	Updated the information available in Section 7.5: WLCSP24 package information .

Glossary

3GPP Third Generation Partnership Project	IMS IP multiple subsystem
AES Advanced encryption standard	IoT Internet of things
AID Application dedicated file	IPA IoT Profile Assistant
APDU Application protocol data unit	ISIM IP multimedia services identity module
ARF Access rule file	ISO Relative to the ISO/IEC 7816 asynchronous receiver transmitter.
ASN.1 Abstract syntax notation one. A standard interface description language for defining data structures that can be serialized and deserialized in a cross-platform way. It is broadly used in telecommunications and computer networking, and especially in cryptography	I²C Inter-integrated circuit
CAT-TP Card application toolkit transport protocol	JEDEC Joint Electron Device Engineering Council
CAVE Cellular authentication and voice encryption	LTE Long-term evolution
CDMA Code division multiple access	M2M Machine to machine
CSIM CDMA subscriber identity module	MD5 Message digest 5
DES Data encryption standard	MNO Mobile network operator
DFN Dual flat no-lead package	MNO-SD Mobile network operator security domain
DNS Domain name system	MVNO Mobile virtual network operator
EAL Evaluation assurance level	NAA Network access application
eDRX Extended discontinuous reception	NB-IOT Narrow band <i>IoT</i>
eIM eSIM IoT remote manager	NIST National Institute of Standards and Technology
eSE Embedded secure element	OEM Original equipment manufacturer
eSIM Embedded subscriber identity module	OTA Over the air
ETSI European Telecommunications Standards Institute	PIN Personal identification number
eUICC Embedded universal integrated circuit card	PKCS Public key cryptographic standards
HTTPS Hypertext transfer protocol secure	PoC Proof of concept
IEC International Electrotechnical Commission	PUK PIN unlock key
	RAM Remote applet management
	RFM Remote file manager

RISC Reduced instruction set computing (CPU design strategy)

RSA Public-key cryptosystem (created by Ron Rivest, Adi Shamir and Leonard Adleman)

SCP Secure channel protocol

SE Secure element

SIM Subscriber identity module

SM-DP+ Subscription manager - Data protection +

SMS Short message service

SPI Serial peripheral interface

TAR Toolkit application reference

TLS Transport layer security

UICC Universal integrated circuit card

UMTS Universal mobile telephone system

USIM Universal subscriber identity module

WLCSP Wafer-level chip-scale package

Contents

1	Description	3
2	Cellular connectivity solutions overview	4
3	eSIM GSMA solution	5
4	Additional embedded secure element (eSE)	7
5	Card OS technical features	8
5.1	Supported standards and networks	8
5.2	Algorithms and cryptography	8
5.3	Over the air (OTA) functionality	8
5.4	Memory management	9
6	Electrical characteristics	10
6.1	Absolute maximum ratings	10
6.2	Recommended power supply filtering	10
6.3	AC and DS characteristics	11
7	Package information	12
7.1	VDFPN8 with wettable flanks (MFF2)	12
7.1.1	Wettable flank for formation of inspectable solder joint	13
7.2	Pinout information	14
7.3	VDFPN8 tape and reel packing	14
7.4	2FF, 3FF, or 4FF plugin card package information	16
7.5	WLCSP24 package information	17
7.5.1	PCB design and reflow recommendations	18
7.5.2	WLCSP24 tape and reel packing	20
7.5.3	Additional communication interface of WLCSP24	21
	Revision history	23

List of tables

Table 1.	Absolute maximum ratings	10
Table 2.	Maximum V_{CC} rising slope	11
Table 3.	VDFPN8 - mechanical data	13
Table 4.	Pin descriptions	14
Table 5.	Packing on tape and reel	15
Table 6.	13" reel dimensions	15
Table 7.	SIM plugin package types and dimensions	17
Table 8.	WLCSP24 - Mechanical data	18
Table 9.	WLCSP24 - Recommended PCB design rules	19
Table 10.	Critical reflow parameters	19
Table 11.	WLCSP24 on tape and reel	20
Table 12.	WLCSP reel dimensions	20
Table 13.	WLCSP24 package pinout	22
Table 14.	Document revision history	23

List of figures

Figure 1.	SIM solution overview	4
Figure 2.	eSIM solution overview	4
Figure 3.	eSIM for IoT GSMA solution overview	5
Figure 4.	eSIM architecture overview	6
Figure 5.	ST4SIM-300M architecture eSIM & eSE overview	7
Figure 6.	Recommended filtering capacitors on V_{CC}	10
Figure 7.	VFD8FN8 - outline	12
Figure 8.	Regular VFD8FN8 package without wettable flank	13
Figure 9.	VFD8FN8 package with wettable flank	13
Figure 10.	VFD8FN8 pinout (top view)	14
Figure 11.	ST4SIM-300M PCB integration recommendations	14
Figure 12.	13" reel diagram	15
Figure 13.	Leader and trailer	15
Figure 14.	Embossed carrier tape for DFN8 (5 × 6 mm)	16
Figure 15.	Component orientation	16
Figure 16.	WLCSP24 - Outline	17
Figure 17.	PCB landing pattern	18
Figure 18.	Reflow soldering temperature profile	19
Figure 19.	WLCSP reel diagram	20
Figure 20.	WLCSP24 carrier tape	21

IMPORTANT NOTICE – READ CAREFULLY

STMicroelectronics NV and its subsidiaries (“ST”) reserve the right to make changes, corrections, enhancements, modifications, and improvements to ST products and/or to this document at any time without notice. Purchasers should obtain the latest relevant information on ST products before placing orders. ST products are sold pursuant to ST’s terms and conditions of sale in place at the time of order acknowledgment.

Purchasers are solely responsible for the choice, selection, and use of ST products and ST assumes no liability for application assistance or the design of purchasers’ products.

No license, express or implied, to any intellectual property right is granted by ST herein.

Resale of ST products with provisions different from the information set forth herein shall void any warranty granted by ST for such product.

ST and the ST logo are trademarks of ST. For additional information about ST trademarks, refer to www.st.com/trademarks. All other product or service names are the property of their respective owners.

Information in this document supersedes and replaces information previously supplied in any prior versions of this document.

© 2024 STMicroelectronics – All rights reserved