

NPS4053

5.5 V, 55 mΩ load switch with precision adjustable current limit

Rev. 1 — 29 June 2023

Product data sheet

1. General description

The NPS4053 is a 5.5 V, 55 mΩ load switch with precision adjustable current limit from 110 mA to 2.5 A.

The NPS4053 switch limits the output current to a constant current by using a constant-current mode when the output load exceeds the current limit threshold or shorted. An internal voltage comparator disables the load switch when the output voltage is higher than the input to protect devices on the input side of the switch. The FLT pin is an active low output to indicate overcurrent, over temperature and reverse voltage conditions.

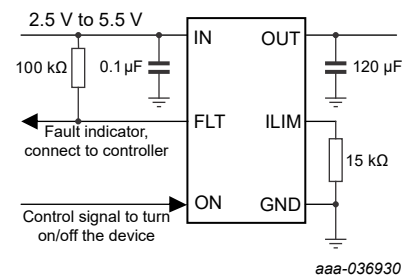
2. Features and benefits

- Input operating voltage range (V_{IN}): 2.5 V to 5.5 V
- Maximum continuous current (I_{MAX}): 2 A
- ON resistance ($R_{DS(on)}$):
 - $V_{IN} = 5.5\text{ V}$: 55 mΩ (typical)
 - $V_{IN} = 3.6\text{ V}$: 65 mΩ (typical)
 - $V_{IN} = 2.5\text{ V}$: 80 mΩ (typical)
- Adjustable current limit: 110 mA to 2.5 A
- $\pm 6\%$ current limit accuracy at 1.2 A
- ILIM pin protection: can be shorted to ground or left floating
- Constant current during current limit
- No body diode when disabled (no current path from pin OUT to pin IN)
- Active reverse voltage protection
- Built in soft start
- UL 62368 recognition
- ESD protection:
 - HBM ANSI/ESDA/JEDEC JS-001 exceeds 2 kV
 - CDM ANSI/ESDA/JEDEC JS-002 exceeds 0.5 kV
 - IEC 61000-4-2 contact discharge 8 kV
 - IEC 61000-4-2 air-gap discharge 15 k
- Specified from $-40\text{ }^{\circ}\text{C}$ to $+125\text{ }^{\circ}\text{C}$

3. Applications

- USB ports/hubs, laptops, docking station and desktops
- Set top box
- HDTV
- Optical socket protection
- Current limiting circuits

4. Application circuit



Note:

Connect at least 120 μF capacitor at output for USB port application, other applications except USB choose output capacitor according to actual transient requirements.

Fig. 1. Typical application circuit

5. Ordering information

Table 1. Ordering information

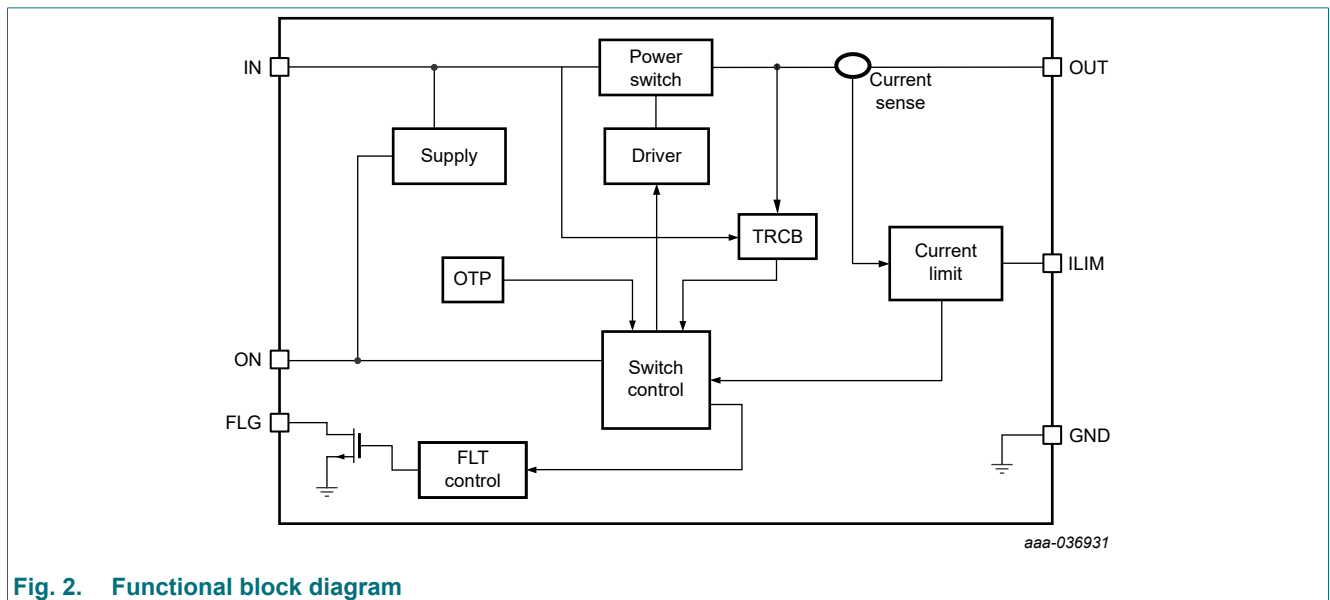
Type number	Package			
	Temperature range	Name	Description	Version
NPS4053GH	-40 °C to +125 °C	HWSON6	plastic thermal enhanced very very thin small outline packages, no leads; 6 terminals; 0.65 mm pitch; 2.0 mm x 2.0 mm x 0.75 mm body	SOT8044-1

6. Marking

Table 2. Marking

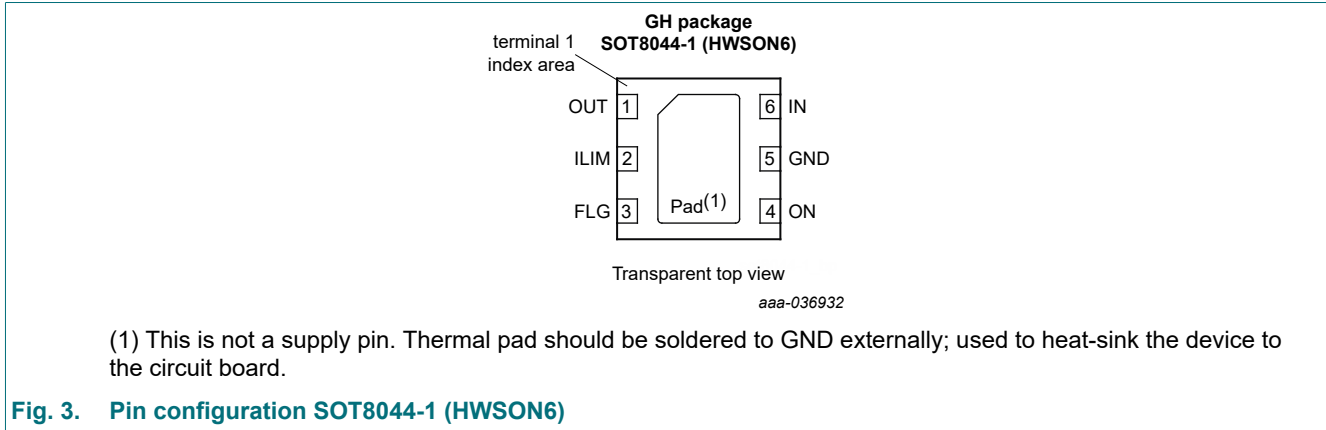
Type number	Marking code
NPS4053GH	S3

7. Functional diagram



8. Pinning information

8.1. Pinning



8.2. Pin description

Table 3. Pin description

Symbol	Pin	I/O	Description
IN	6	Supply	Power-switch input pin. Connect a ceramic capacitor of minimal 0.1 μF from pin IN to GND, as close to the IC as possible.
GND	5	Supply	Ground connection; connect externally to PCB ground.
ON	4	I	ON/OFF (enable) input. LogicHIGH turns on power switch.
FLG	3	O	Active-low open-drain output, pulled up to VIN or other power rails via external resistor. Asserts low during overcurrent, overtemperature and reverse-voltage conditions. Can be shorted to GND or floating if not used.
ILIM	2	O	Connect external resistor between ILIM pin and GND to set current limit threshold.
OUT	1	O	Power-switch output pin. Connect at least 120 μF capacitor at output for USB port application. Choose output capacitor according to actual transient requirements for other applications other than USB.
PAD	-	-	Thermal pad should be soldered to GND externally; used to heat-sink the device to the circuit board

9. Limiting values

Table 4. Limiting values

In accordance with the Absolute Maximum Rating System (IEC 60134). Voltages are referenced to GND (ground = 0 V). [1]

Symbol	Parameter	Conditions	Min	Max	Unit
V_{IN}	input voltage	pin IN	-0.3	+6	V
V_{OUT}	output voltage	pin OUT	-0.3	+6	V
V_{ON}	ON/OFF (enable) input voltage	pin ON	-0.3	+6	V
V_{ILIM}	ILIM pin voltage	pin ILIM	-0.3	+6	V
V_{FLG}	FLG pin voltage	pin FLG	-0.3	+6	V
$V_{\text{IN}} - V_{\text{OUT}}$	voltage range from pin IN to pin OUT		-6	+6	V
I_{FLG}	FLG pin sink current	pin FLG	0	25	mA

5.5 V, 55 mΩ load switch with precision adjustable current limit

Symbol	Parameter	Conditions	Min	Max	Unit
I_{ILIM}	ILIM pin source current	pin ILIM	0	1	mA
T_j	junction temperature		-40	+150	°C
T_{stg}	storage temperature		-65	+150	°C
ESD					
V_{ESD}	electrostatic discharge voltage	HBM ANSI/ESDA/JEDEC JS-001	-2	+2	kV
		CDM ANSI/ESDA/JEDEC JS-002	-0.5	+0.5	kV
		IEC 61000-4-2 contact discharge	-8	+8	kV
		IEC 61000-4-2 air-gap discharge	-15	+15	kV

- [1] Stress above one or more limiting values (as defined in the Absolute Maximum Ratings System of IEC 60134) will cause permanent damage to the device. Limiting values are stress ratings only and (proper) operation of the device at these or any other conditions above those given in the Recommended operating conditions section (if present) or the Characteristics sections of this document is not warranted. Constant or repeated exposure to limiting values will permanently and irreversibly affect the quality and reliability of the device.

10. Recommended operating conditions

Table 5. Recommended operating conditions

Symbol	Parameter	Conditions	Min	Max	Unit
V_{IN}	input voltage	pin IN	2.2	5.5	V
V_{ON}	ON/OFF (enable) input voltage	pin ON	0	5.5	V
V_{IH}	HIGH-level input voltage	ON pin	1.4	-	V
V_{IL}	LOW-level input voltage	ON pin	0	0.35	V
I_{OUT}	continuous output current		0	2	A
R_{ILIM}	current-limit threshold resistor range (nominal 1%) from pin ILIM to GND		9.31	210	kΩ
I_{FLG}	continuous sink current pin FLG		0	10	mA
T_{amb}	ambient temperature		-40	+125	°C

11. Thermal Information

Table 6. Thermal information

Thermal resistance according JEDEC51 -5 and -7

Symbol	Parameter	Package	Unit
		SOT8044-1 (HWSON6)	
$R_{\theta JA}$	Junction to ambient thermal resistance	63.4	°C/W
$R_{\theta JC(top)}$	Junction to case(top) thermal resistance	98.2	°C/W
Φ_{JT}	Junction to top char parameter	5.8	°C/W
Φ_{JB}	Junction to board char parameter	33.1	°C/W

12. Static characteristics

Table 7. Static characteristics

At recommended operating conditions; voltages are referenced to GND (ground = 0 V).

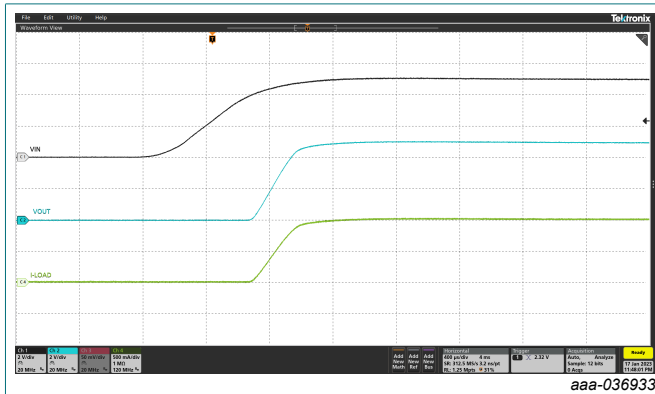
$V_{IN} = 5\text{ V}$, $R_{FLG} = 100\text{ k}\Omega$, All typical values are measured at $T_{amb} = 25\text{ }^\circ\text{C}$, unless otherwise specified.

Symbol	Parameter	Conditions	$T_{amb} = -40\text{ }^\circ\text{C to } +125\text{ }^\circ\text{C}$			Unit
			Min	Typ	Max	
POWER SWITCH						
$R_{DS(on)}$	drain-source on-state resistance	$V_{IN} = 5.5\text{ V}$	-	55	88	mΩ
		$V_{IN} = 3.6\text{ V}$	-	65	109	mΩ
		$V_{IN} = 2.5\text{ V}$	-	80	140	mΩ
t_r	rise time output	$C_L = 1\text{ }\mu\text{F}$; $R_L = 100\text{ }\Omega$				
		$V_{IN} = 5.5\text{ V}$	-	0.3	1	ms
		$V_{IN} = 2.5\text{ V}$	-	0.3	1	ms
t_f	fall time output	$C_L = 1\text{ }\mu\text{F}$; $R_L = 100\text{ }\Omega$				
		$V_{IN} = 5.5\text{ V}$	-	0.2	0.3	ms
		$V_{IN} = 2.5\text{ V}$	-	0.2	0.3	ms
ON/OFF INPUT						
I_{ON}	input current	$V_{ON} = 0\text{ V or } 5.5\text{ V}$	-0.5	-	0.5	μA
t_{on}	turn-on time	$V_{IN} = 2.5\text{ V to } 5.5\text{ V}$; $C_L = 1\text{ }\mu\text{F}$; $R_L = 100\text{ }\Omega$	-	-	3	ms
t_{off}	turn-off time	$V_{IN} = 2.5\text{ V to } 5.5\text{ V}$; $C_L = 1\text{ }\mu\text{F}$; $R_L = 100\text{ }\Omega$	-	-	3	ms
I_{LIMIT}	current-limit threshold	$V_{IN} - V_{OUT} = 1.0\text{ V}$				
		$R_{ILIM} = 9.31\text{ k}\Omega$; $T_j \leq 125\text{ }^\circ\text{C}$	2.25	2.5	2.72	A
		$R_{ILIM} = 10.2\text{ k}\Omega$; $T_j \leq 125\text{ }^\circ\text{C}$	2.06	2.3	2.50	A
		$R_{ILIM} = 12.7\text{ k}\Omega$; $T_j \leq 125\text{ }^\circ\text{C}$	1.68	1.85	2.01	A
		$R_{ILIM} = 15.0\text{ k}\Omega$; $T_j \leq 125\text{ }^\circ\text{C}$	1.48	1.57	1.67	A
		$R_{ILIM} = 20.0\text{ k}\Omega$; $T_j \leq 125\text{ }^\circ\text{C}$	1.09	1.18	1.25	A
		$R_{ILIM} = 49.9\text{ k}\Omega$; $T_j \leq 125\text{ }^\circ\text{C}$	0.42	0.47	0.51	A
		$R_{ILIM} = 210.0\text{ k}\Omega$; $T_j \leq 125\text{ }^\circ\text{C}$	0.08	0.11	0.14	A
		pin LIMIT shorted to GND	-	2.46	-	A
pin LIMIT open	-	0.11	-	A		
REVERSE VOLTAGE PROTECTION						
$V_{reverse}$	reverse-voltage comparator trip point		-	75	110	mV
$t_{reverse}$	time from reverse-voltage condition to MOSFET turn off	$V_{IN} = 4\text{ V}$; $V_{OUT} = 5\text{ V}$	-	0.5	5	μs
SUPPLY CURRENT						
I_q	quiescent current	$V_{IN} = V_{ON} = 5.5\text{ V}$; no load on pin OUT; $R_{ILIM} = 20\text{ k}\Omega$	-	-	285	μA
I_{SD}	shut down current	$V_{IN} = 5.5\text{ V}$; no load on pin OUT, $V_{ON} = 0\text{ V}$; $R_{ILIM} = 20\text{ k}\Omega$	-	-	1	μA
I_{REV}	reverse current leakage	$V_{IN} = 0\text{ V}$; $V_{OUT} = 5.5\text{ V}$	-	150	-	nA

5.5 V, 55 mΩ load switch with precision adjustable current limit

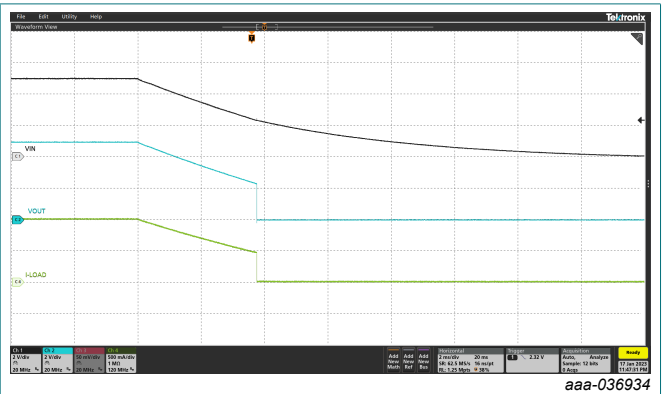
Symbol	Parameter	Conditions	T _{amb} = -40 °C to +125 °C			Unit
			Min	Typ	Max	
UNDERVOLTAGE LOCKOUT						
V _{UVLO}	under voltage lockout low-level input voltage	V _{IN} rising	-	2.35	2.45	V
V _{hys(UVLO)}	undervoltage lockout hysteresis voltage	T _j = 25 °C	-	25	-	mV
FLG INDICATOR						
V _{OL}	LOW-level output voltage	I _{FLG} = 1 mA	-	-	180	mV
I _{S(OFF)}	OFF-state leakage current	V _{FLG} = 5.5 V	-	-	1	μA
t _{degl}	deglitch time	FLG assertion or de-assertion due to overcurrent condition	-	8.5	12	ms
		FLG assertion or de-assertion due to reverse-voltage condition	-	0.2	1	ms
THERMAL SHUTDOWN						
T _{th(sd)}	shutdown threshold temperature		155	-	-	°C
T _{sd(hys)}	shutdown temperature hysteresis		-	10	-	°C

12.1. Typical characteristics



V_{IN}=5 V, C_{OUT} = 1 μF, R_{LIM} = 20 KΩ, I_{load} = 1 A

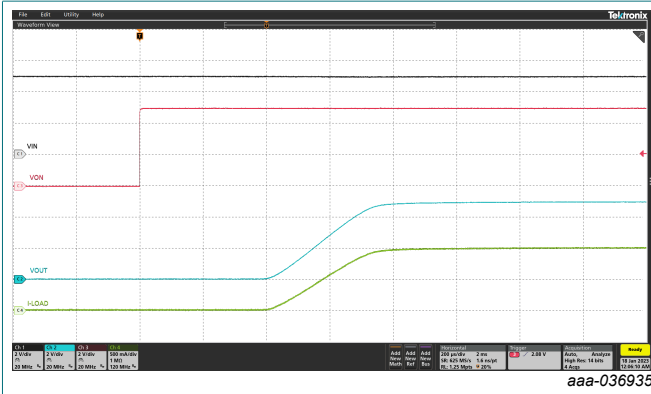
Fig. 4. Turn ON



V_{IN}=5 V, C_{OUT} = 1 μF, R_{LIM} = 20 KΩ, I_{load} = 1 A

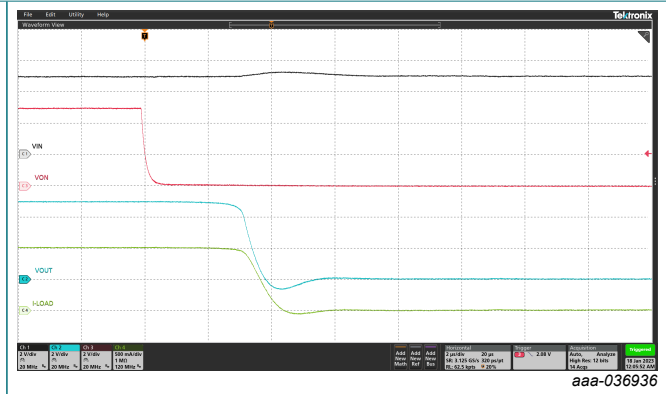
Fig. 5. Turn OFF

5.5 V, 55 mΩ load switch with precision adjustable current limit



$V_{IN}=5\text{ V}$, $V_{OUT}=5\text{ V}$, $C_{OUT} = 1\ \mu\text{F}$, $R_{ILIM} = 20\ \text{k}\Omega$,
 $I_{load} = 1\ \text{A}$

Fig. 6. Enable



$V_{IN}=5\text{ V}$, $V_{OUT}=5\text{ V}$, $C_{OUT} = 1\ \mu\text{F}$, $R_{ILIM} = 20\ \text{k}\Omega$,
 $I_{load} = 1\ \text{A}$

Fig. 7. Disable

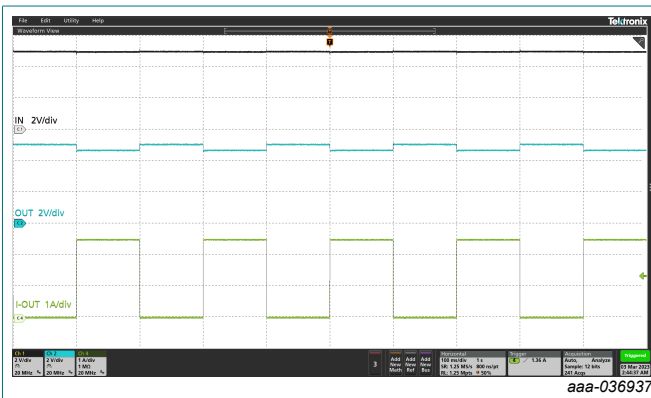


Fig. 8. Load transient 0 A to 2.5 A

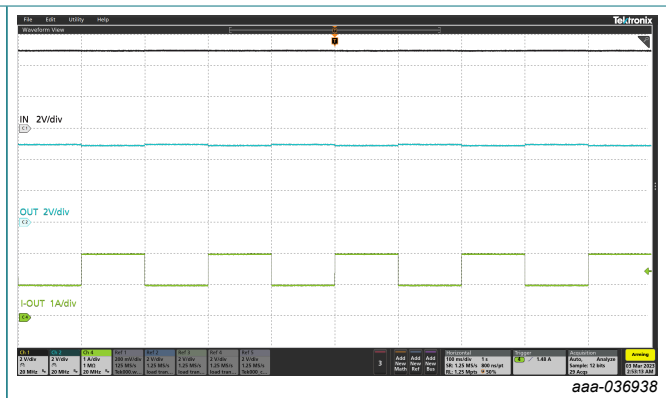


Fig. 9. V_{IN} transient 1 A to 2 A

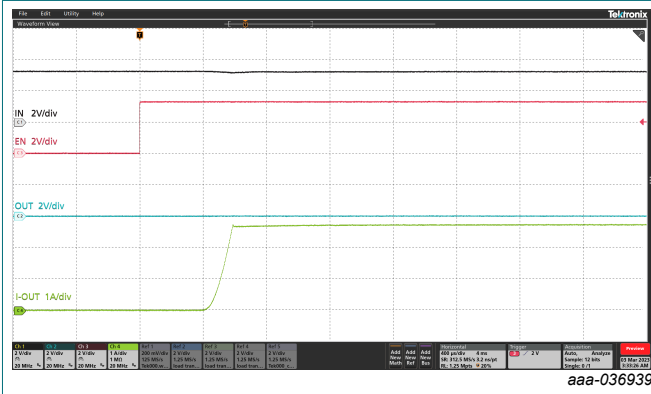


Fig. 10. Enable to short

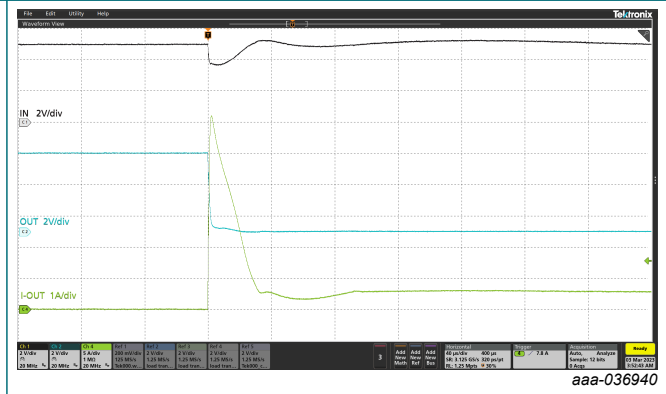


Fig. 11. Hard short

5.5 V, 55 mΩ load switch with precision adjustable current limit

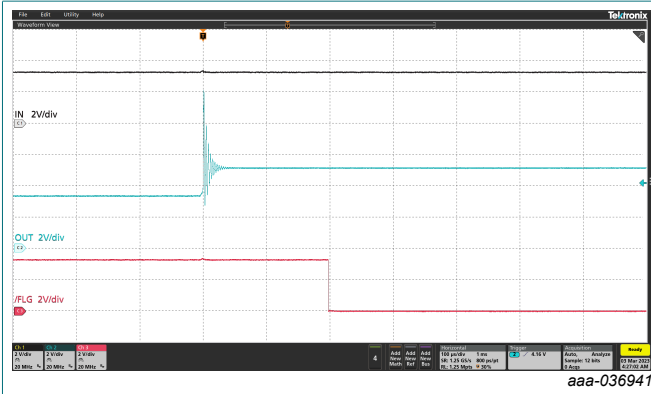


Fig. 12. Reverse voltage blocking

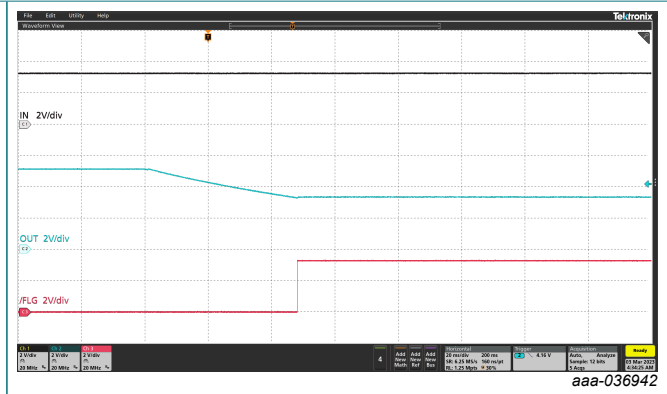


Fig. 13. Reverse voltage blocking

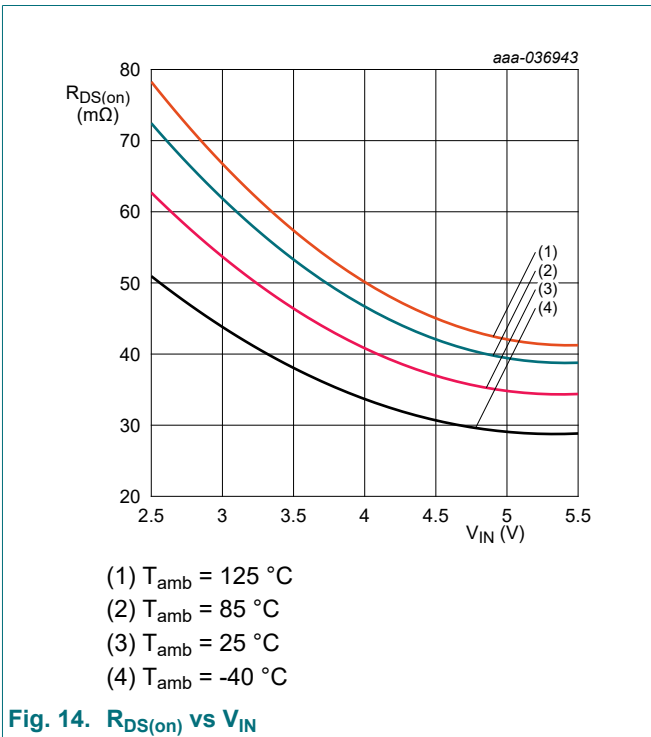


Fig. 14. $R_{DS(on)}$ vs V_{IN}

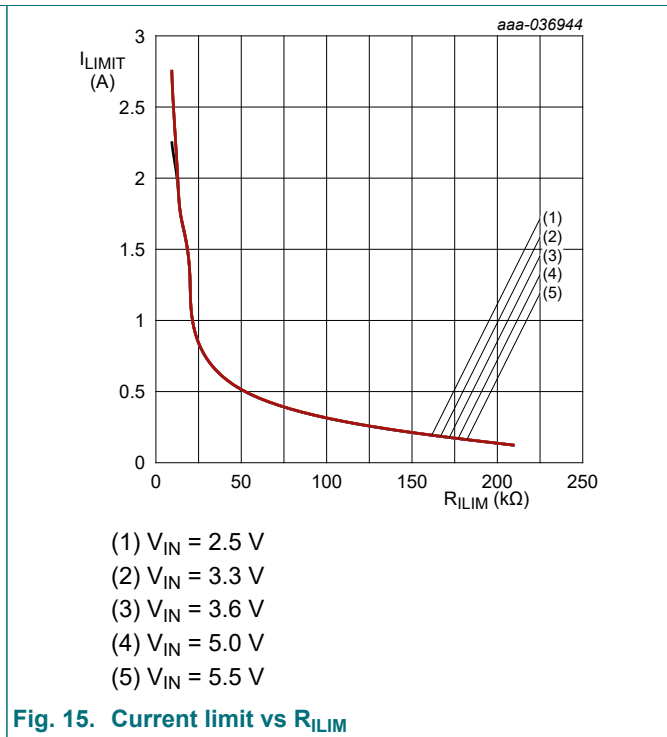


Fig. 15. Current limit vs R_{ILIM}

5.5 V, 55 mΩ load switch with precision adjustable current limit

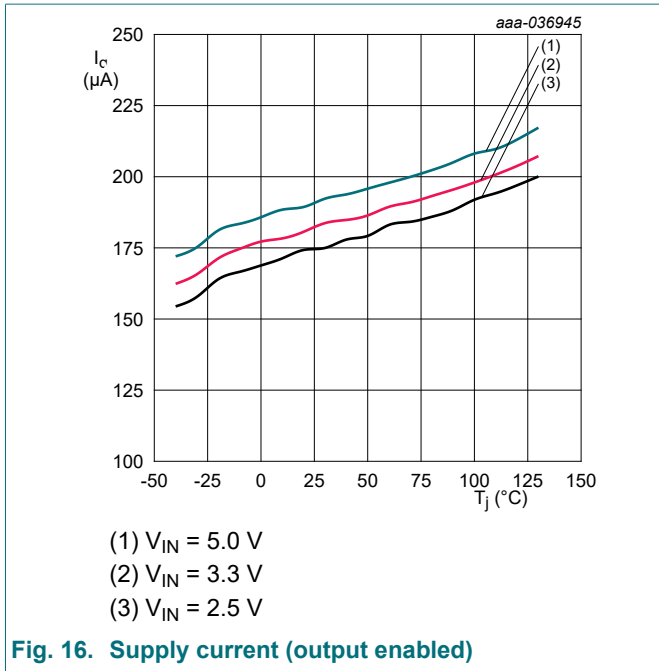


Fig. 16. Supply current (output enabled)

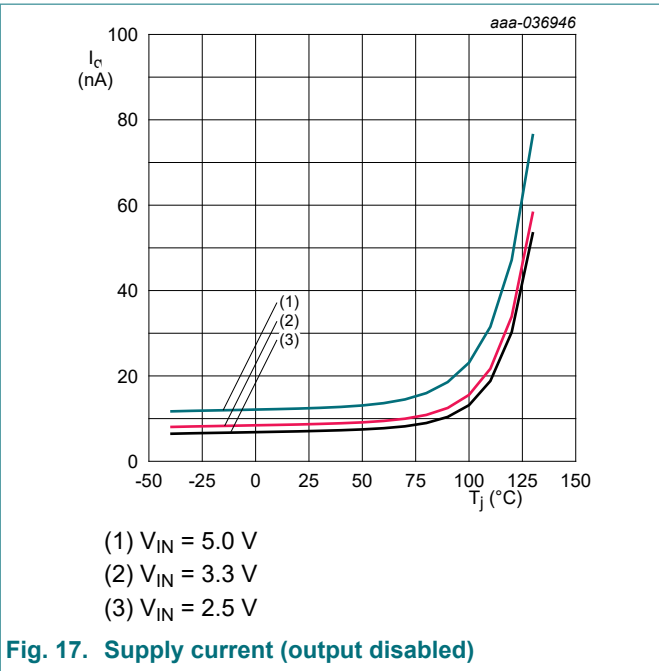


Fig. 17. Supply current (output disabled)

13. Functional description

13.1. Overview

The NPS4053 is a 5.5 V, 55 mΩ P-channel load switch with overcurrent, overtemperature and active reverse voltage protections. The NPS4053 allows users to program the current limit threshold between 110 mA and 2.5 A using an external resistor.

The NPS4053 has built in soft-start functionality and controls the rising and falling times of the output voltage to limit large current and voltage surges. Additional features include overtemperature protection and active reverse-voltage protection.

NPS4053 enters constant-current limit when the load exceeds the current limit threshold.

13.1.1. Functional block diagram

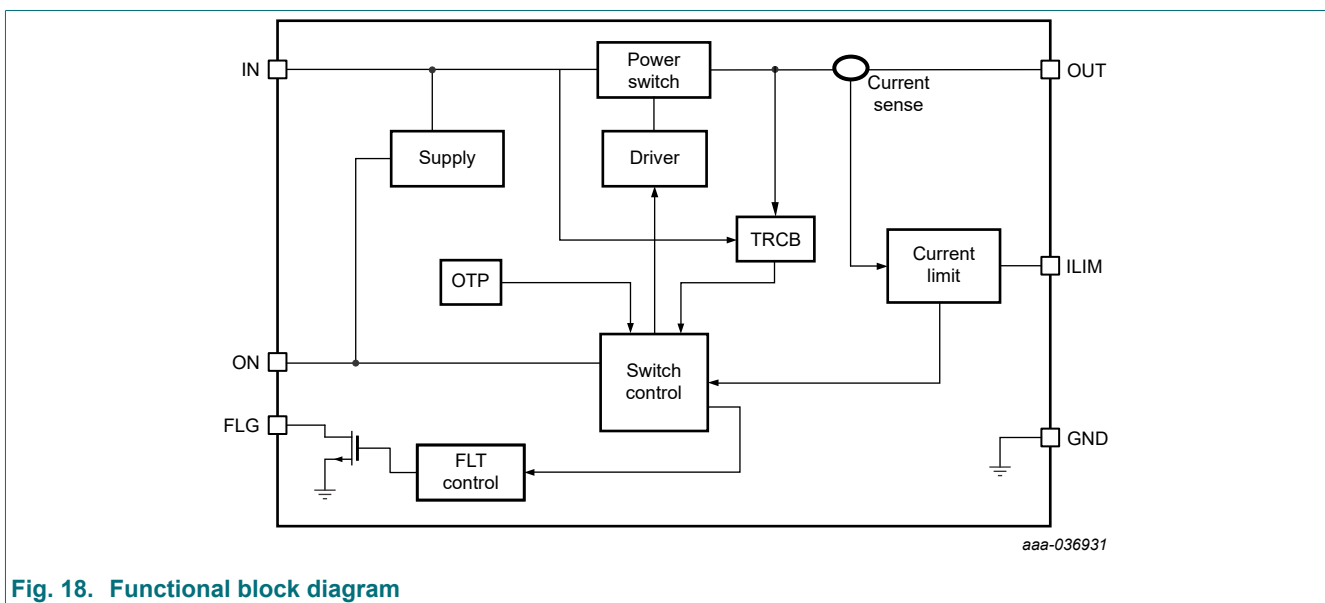


Fig. 18. Functional block diagram

13.2. Feature description

13.2.1. Overcurrent protection

When the load current exceeds current limit threshold set by the external resistor, the NPS4053 enters constant current mode by limiting the output current to the current limit threshold until the overcurrent condition is removed, FLG pin asserts if the overcurrent condition persists for 8.5 ms.

13.2.2. Output short circuit protection (I_{LIMIT})

When the switch is turned on while the output pin is shorted to ground, the NPS4053 enters constant current mode immediately and limits the output current to I_{LIMIT} (see Fig. 19) until the short circuit condition is removed. When the output pin is shorted to ground while the switch is fully turned on, a large current will flow through the switch. The switch responds to short-circuit condition within the time t_{SC} (see Fig. 20). Like previous case, NPS4053 limits the output current to I_{LIMIT} until the short circuit condition is removed.

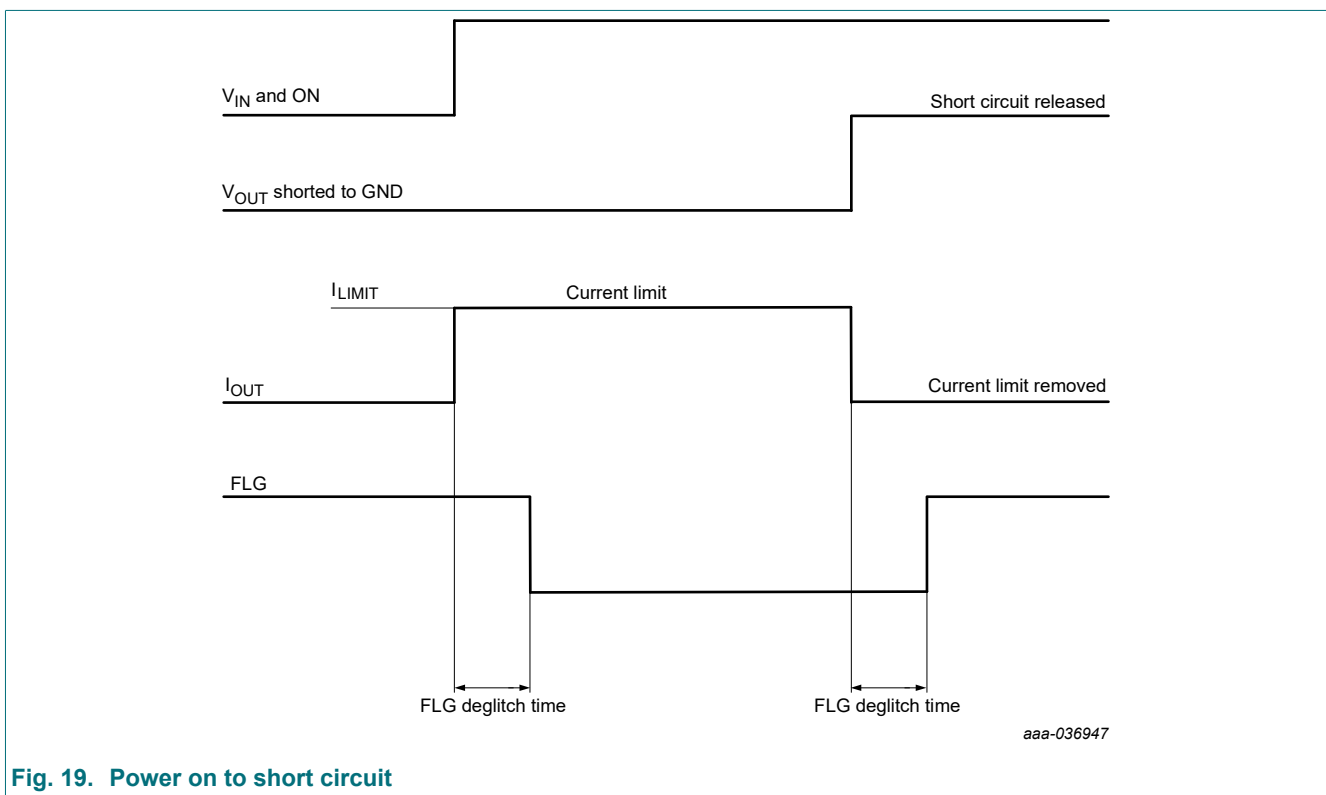


Fig. 19. Power on to short circuit

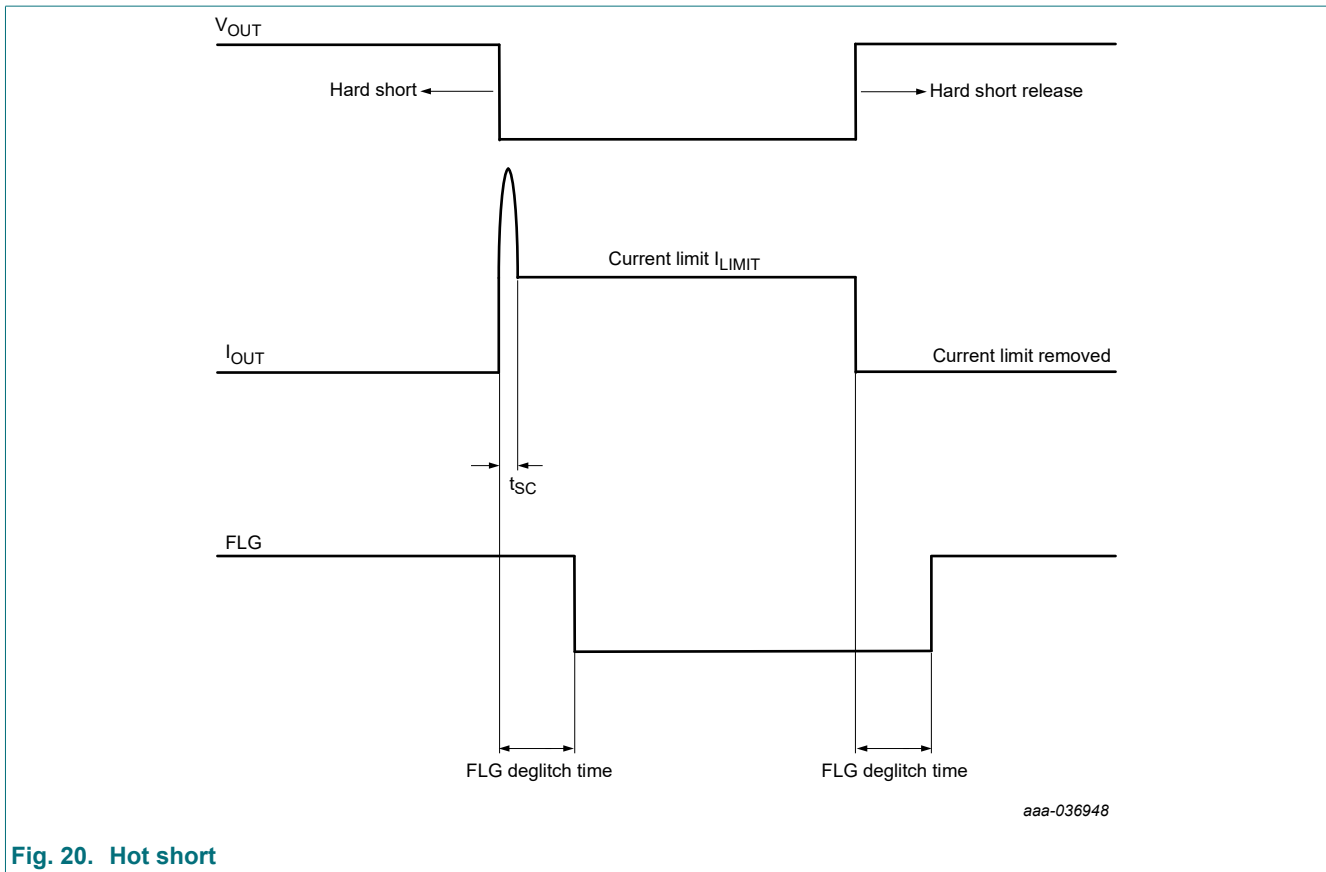


Fig. 20. Hot short

13.2.3. ILIM pin protection

As ILIM pin is used to configure the current limit threshold with an external resistor, its performance of current limiting will be impacted once the ILIM pin is shorted to ground or is floating. NPS4053 provides ILIM pin protection: ILIM pin can be shorted to ground or left floating. Load current is limited by internal current limit circuit under the two circumstances. Users can leave ILIM pin shorted to ground or left floating in actual applications to save system cost.

13.2.4. Overtemperature protection

The NPS4053 thermal cycles if an over current condition is present long enough to activate thermal Limit in any of the above cases. The switch turns off when the junction temperature exceeds 155 °C (typical). The switch remains off until the junction temperature cools 10 °C (typical) and then restarts (see Fig. 21). FLG pin asserts immediately when the junction temperature exceeds 155 °C.

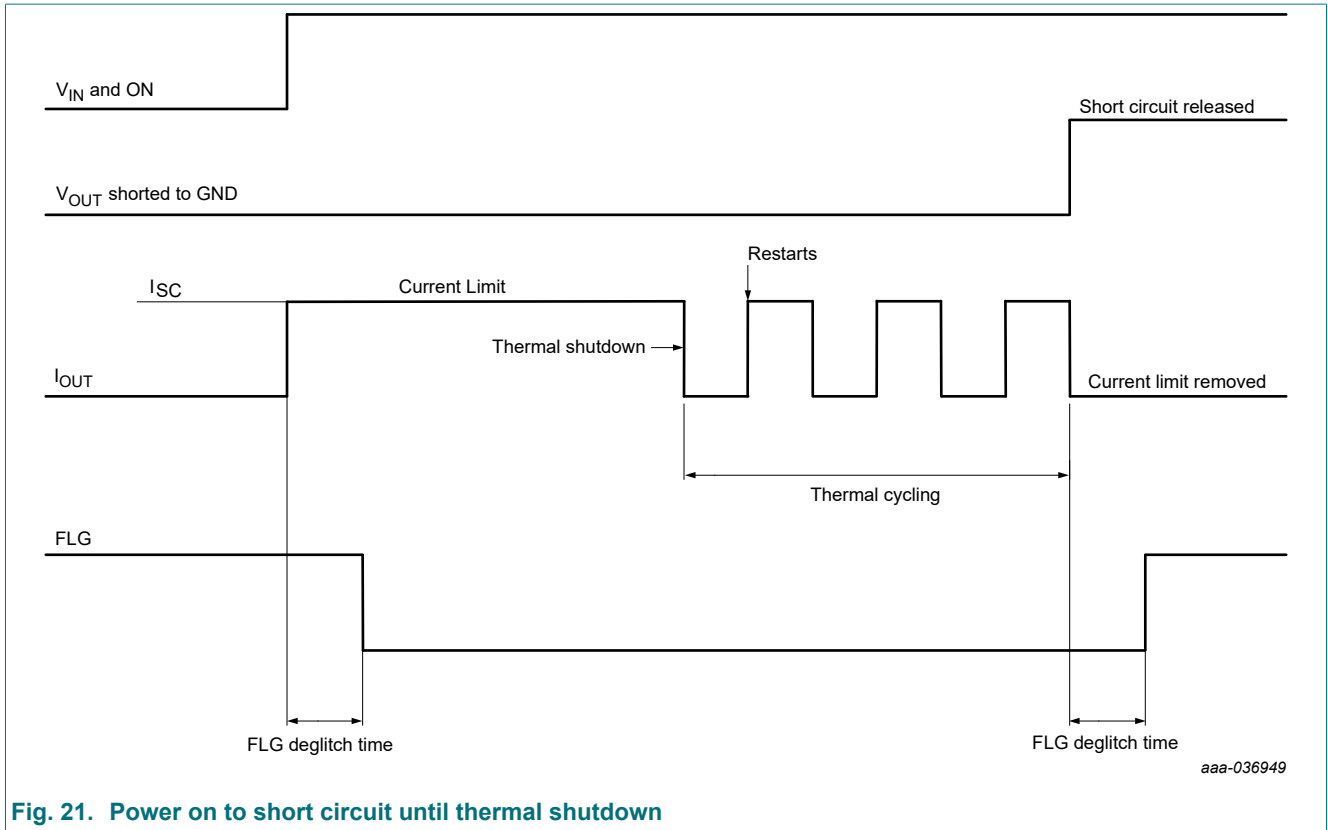


Fig. 21. Power on to short circuit until thermal shutdown

13.2.5. Reverse voltage protection

The NPS4053 integrates active reverse voltage protection. The switch turns off internal MOSFET whenever the output voltage exceeds the input voltage by 75 mV for 0.5 μs. The NPS4053 switch turns on once the reverse voltage condition is removed (see Fig. 22). FLG pin will assert low 0.2 ms after reverse voltage condition and de-assert after reverse voltage condition is removed.

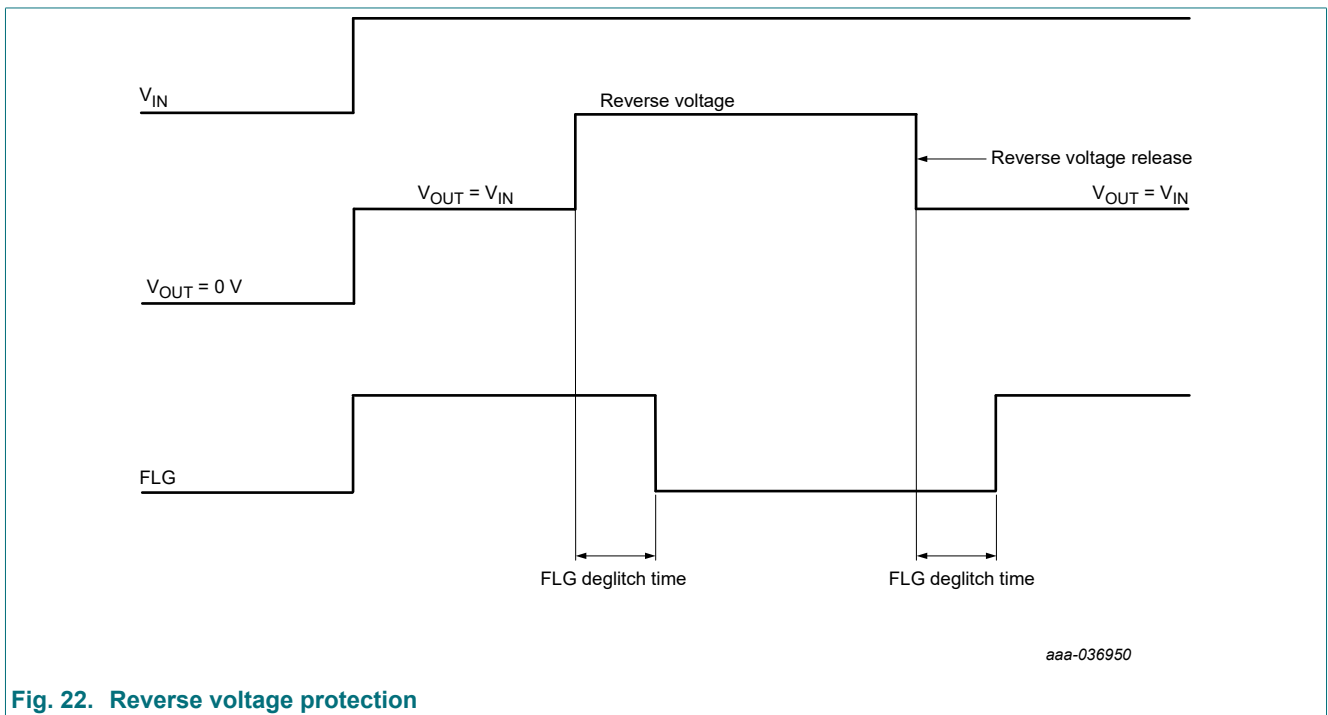


Fig. 22. Reverse voltage protection

13.2.6. FAULT flag response

Fault flag (pin FLG) output is an N-MOS open drain output. FLG pin is asserted low during overcurrent, overtemperature and reverse voltage conditions. An internal deglitch circuit is designed to eliminate false FLG reporting. Deglitch time for over current is 8.5 ms and that for reverse voltage is 0.2 ms. FLG pin voltage goes low 8.5 ms after over current and goes high 8.5 ms after over current condition is removed (see Fig. 19). FLG pin voltage goes low 0.2 ms after reverse voltage and goes high 0.2 ms after reverse voltage condition is removed (see Fig. 22). Overtemperature condition is not deglitched and asserts the FLG signal immediately when the junction temperature exceeds 155 °C. FLG pin can be shorted to ground or left floating when not used.

13.2.7. Undervoltage lockout (UVLO)

The undervoltage lockout (UVLO) circuit prevents the power switch from turning on until input voltage reaches the UVLO turn on threshold. Hysteresis is also built in to prevent unwanted on and off cycling due to input voltage drop from large current surges.

13.2.8. Enable (ON)

The logic enable (pin ON) circuit controls the power switch, a logic high enables the internal MOSFET. The enable input is compatible with both TTL and CMOS logic levels. The enable circuit also provides power to other circuits to reduce the supply current. The power supply current is reduced to less than 1 μA when a logic low is present on ON pin.

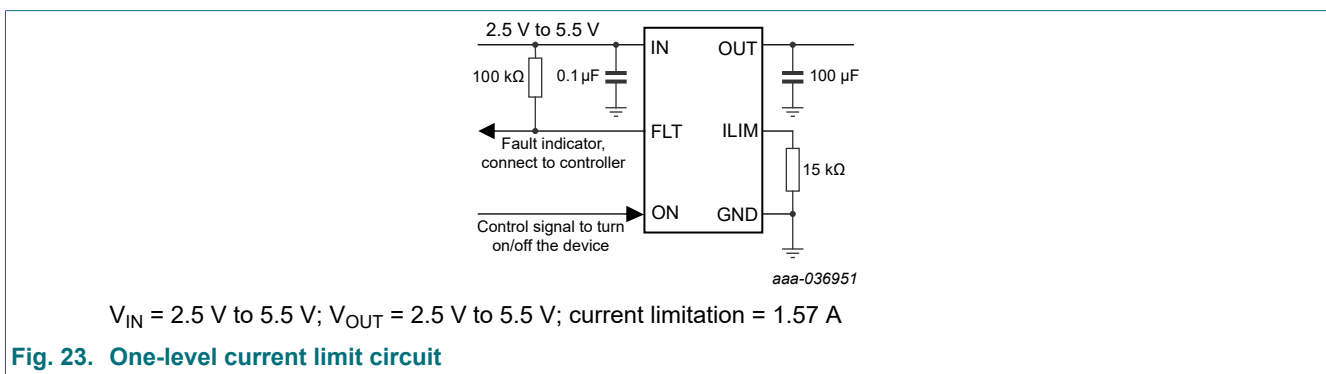
13.2.9. Adjustable current limit threshold

NPS4053 can change current limit threshold from 110 mA to 2.5 A by connecting an external resistor between ILIM pin and GND. The resistor value is required to be between 9.31 kΩ to 210 kΩ (1 % tolerance) to ensure the stability of the internal regulation loop. The relationship between external resistor and current limit threshold is shown in equation below:

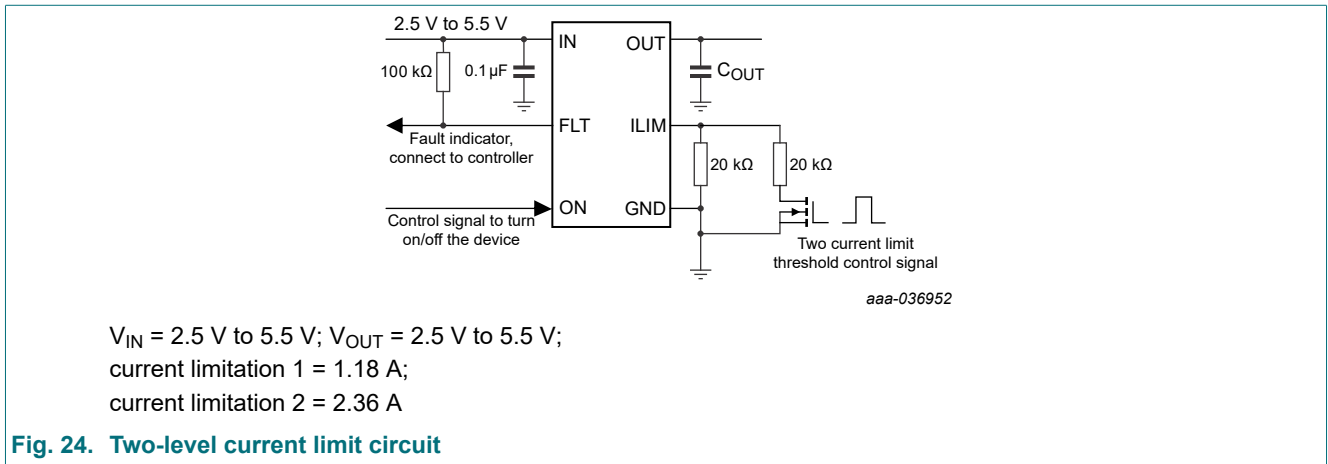
$$I_{ILIM} (mA) = \frac{23600 (V)}{R_{ILIM} (k\Omega)}$$

14. Application information

14.1. One-level current limit application

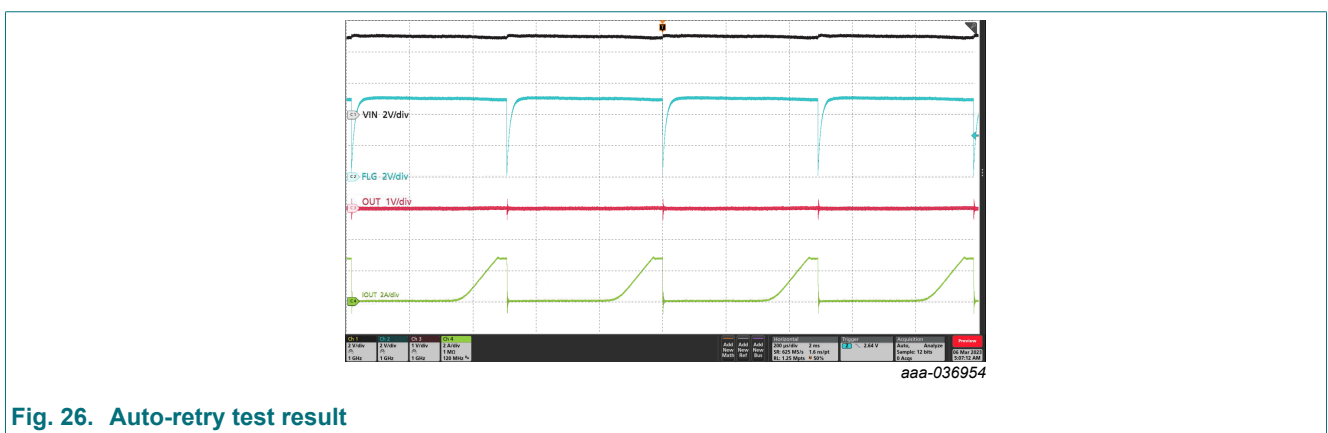
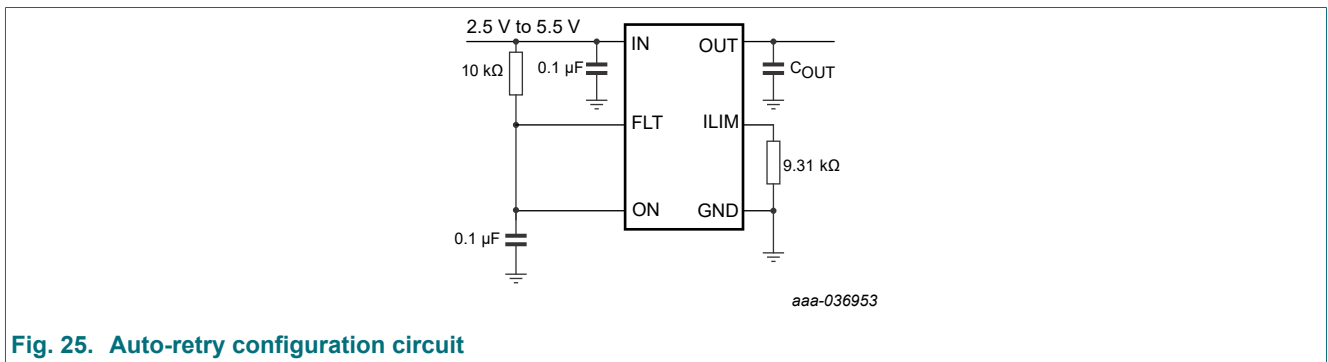


14.2. Two-level current limit circuit



14.3. Auto-retry configuration

NPS4053 switch limits the output current to a safe level by using a constant-current mode when the output load exceeds the current limit threshold or shorted. Constant-current version can be configured as auto-retry version via external resistor and capacitor as Fig. 25 shows. When over current occurs, FLG pin will be pulled low. Since ON pin is tied to FLG pin, ON pin will also be pulled low thus disable the load switch. The over current condition will not exist once the switch is turned off so the FLG pin and ON pin voltage will go high and the switch will be turn on again. ON/OFF time will be determined by RC time constant. An actual test result can be found in Fig. 26.

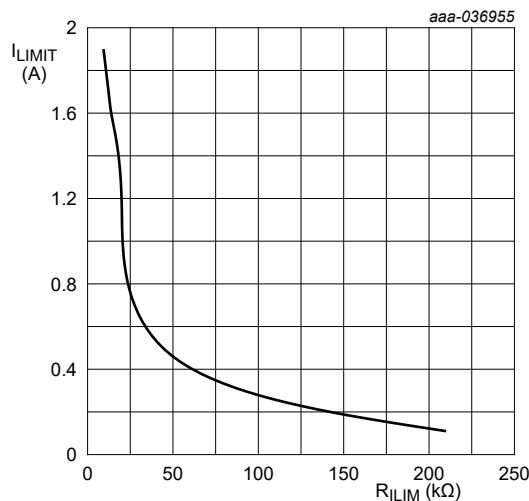


14.4. Programming the current limit threshold via a resistor

The NPS4053 is capable of adjusting the current limit threshold via an external resistor placed between the ILIM pin and ground. The NPS4053 uses an internal regulation loop to provide a regulated voltage on the ILIM pin. The NPS4053 offers short circuit and open protection on the ILIM pin to prevent damage to the device if the ILIM pin is not properly configured. The recommended 1% resistor range for R_{ILIM} is $9.31 \text{ k}\Omega \leq R_{ILIM} \leq 210 \text{ k}\Omega$ to ensure stability of the internal regulation loop. The following tables and charts provide information about how the R_{ILIM} resistor affect the current limit threshold (I_{LIMIT}) at specific input voltages.

Table 8. Current limit threshold at $V_{IN} = 2.5 \text{ V}$

$V_{IN} = 2.5 \text{ V}; T_{amb} = 25 \text{ }^\circ\text{C}$	
R_{ILIM} resistance connected between pin ILIM and GND (kΩ)	I_{LIMIT} current limit threshold (A)
9.31	1.9
10.2	1.84
12.7	1.67
15	1.55
20	1.17
49.9	0.46
210	0.11



$V_{IN} = 2.5 \text{ V}; T_{amb} = 25 \text{ }^\circ\text{C}$

Fig. 27. Current limit threshold vs R_{ILIM}

Table 9. Current limit threshold at $V_{IN} = 3.3 \text{ V}$

$V_{IN} = 3.3 \text{ V}; T_{amb} = 25 \text{ }^\circ\text{C}$	
R_{ILIM} resistance connected between pin ILIM and GND (kΩ)	I_{LIMIT} current limit threshold (A)
9.31	2.5
10.2	2.3
12.7	1.85
15	1.57
20	1.17
49.9	0.47
210	0.11

5.5 V, 55 mΩ load switch with precision adjustable current limit

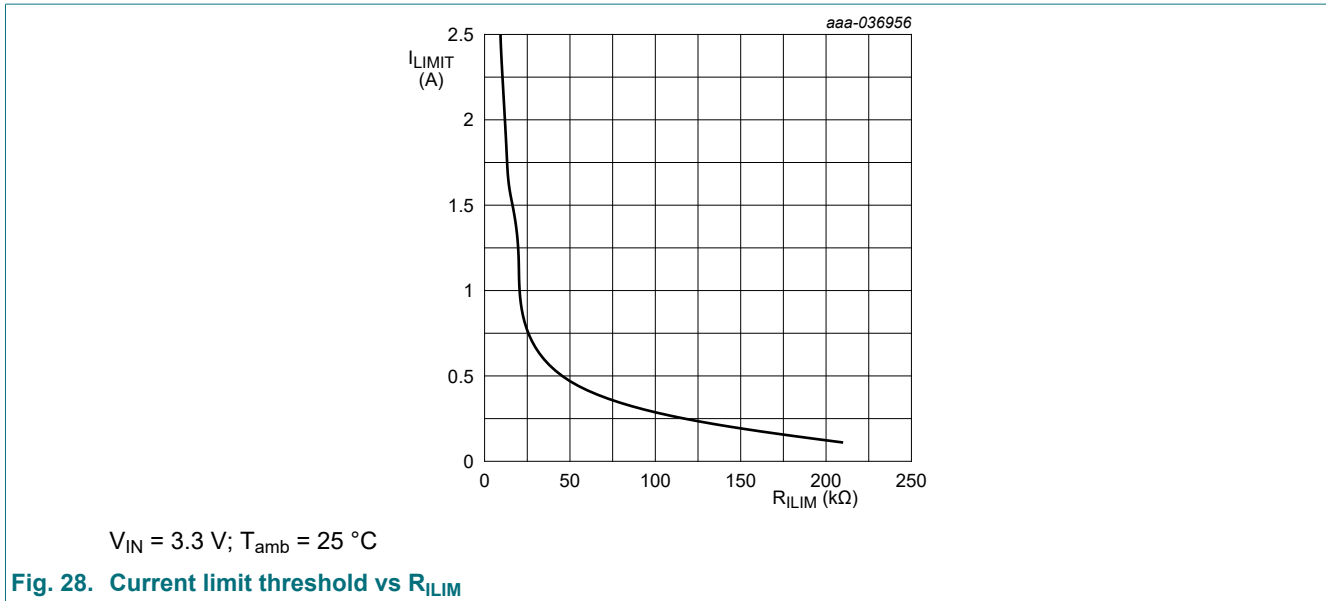
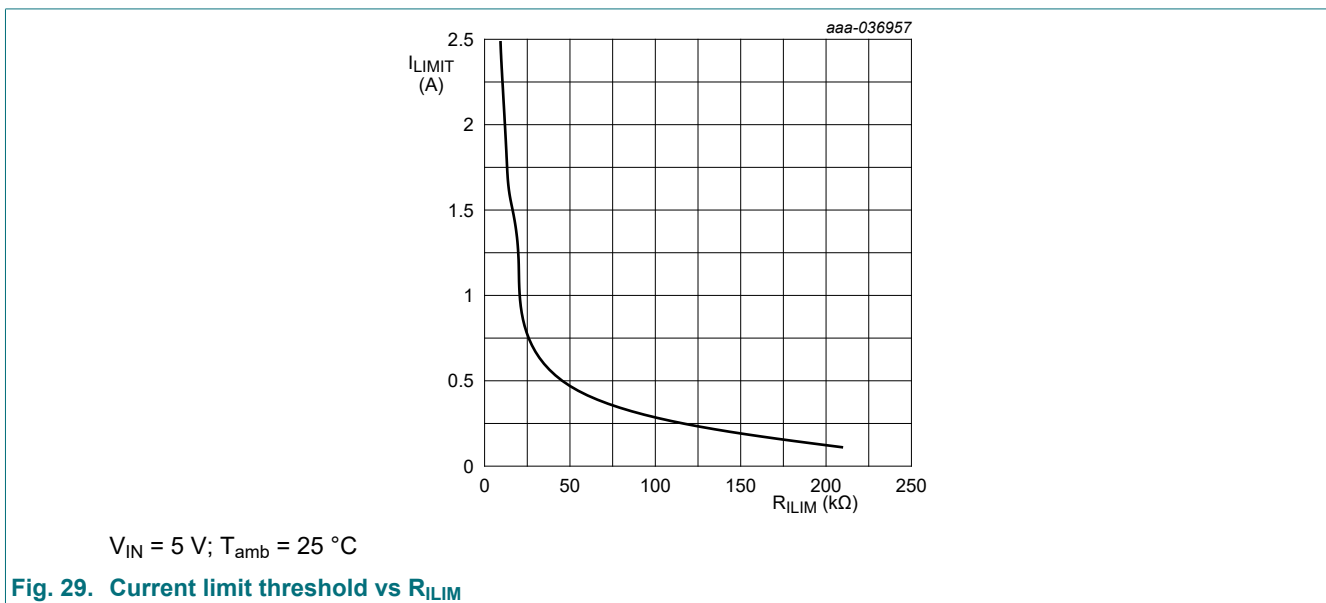


Table 10. Current limit threshold at $V_{IN} = 5 \text{ V}$

$V_{IN} = 5 \text{ V}; T_{amb} = 25 \text{ }^\circ\text{C}$	
R_{ILIM} resistance connected between pin ILIM and GND (kΩ)	I_{LIMIT} current limit threshold (A)
9.31	2.49
10.2	2.3
12.7	1.85
15	1.57
20	1.18
49.9	0.47
210	0.11



15. Layout

15.1. Power supply recommendations

The NPS4053 is designed to operate with a V_{IN} range of 2.5 V to 5.5 V. The V_{IN} power supply must be well regulated and placed as close to the device terminal as possible. The power supply must be able to withstand all transient load current steps. In most situations, using an input capacitance (C_{IN}) of 1 μ F is sufficient to prevent the supply voltage from dipping when the switch is turned on. In cases where the power supply is slow to respond to a large transient current or large load current step, additional bulk capacitance may be required on the input.

15.2. Layout guidelines

For best performance, all traces must be as short as possible. To be most effective, the input and output capacitors must be placed close to the device to minimize the effects that parasitic trace inductances may have on normal operation. Using wide traces for V_{IN} , V_{OUT} , and GND helps minimize the parasitic electrical effects.

15.3. Layout example

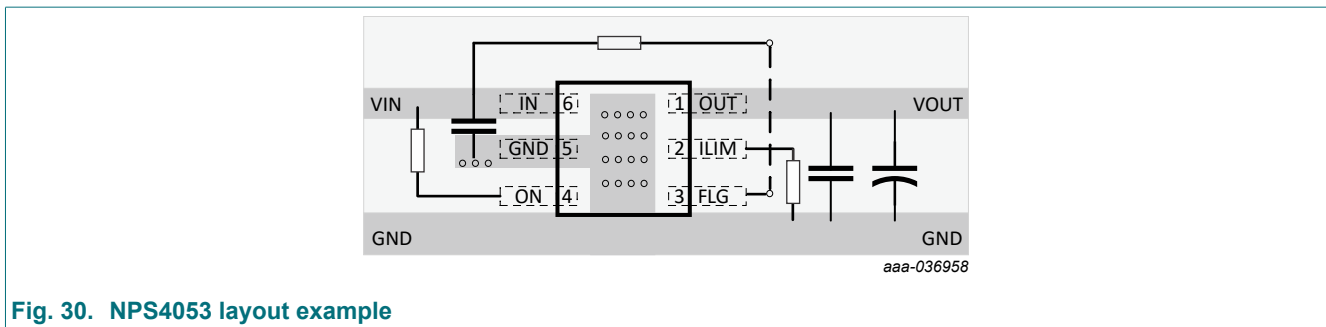


Fig. 30. NPS4053 layout example

16. Thermal considerations

The maximum IC junction temperature should be restricted to 125 °C under normal operating conditions. To calculate the maximum allowable dissipation, $P_{D(max)}$ for a given output current and ambient temperature, the equation as shown below can be used:

$$P_{D(MAX)} = \frac{T_{J(MAX)} - T_{amb}}{\theta_{JA}}$$

Where:

$P_{D(MAX)}$ = maximum allowable power dissipation

$T_{J(MAX)}$ = maximum allowable junction temperature (125 °C for the NPS4053 devices)

T_{amb} = ambient temperature of the device

θ_{JA} = junction to air thermal impedance. This parameter is highly dependent upon board layout.

17. Package outline

HWSO6: plastic thermal enhanced very very thin Small Outline packages, no leads;
 6 terminals; 0.65 mm pitch; 2.0 mm x 2.0 mm x 0.75 mm body

SOT8044-1

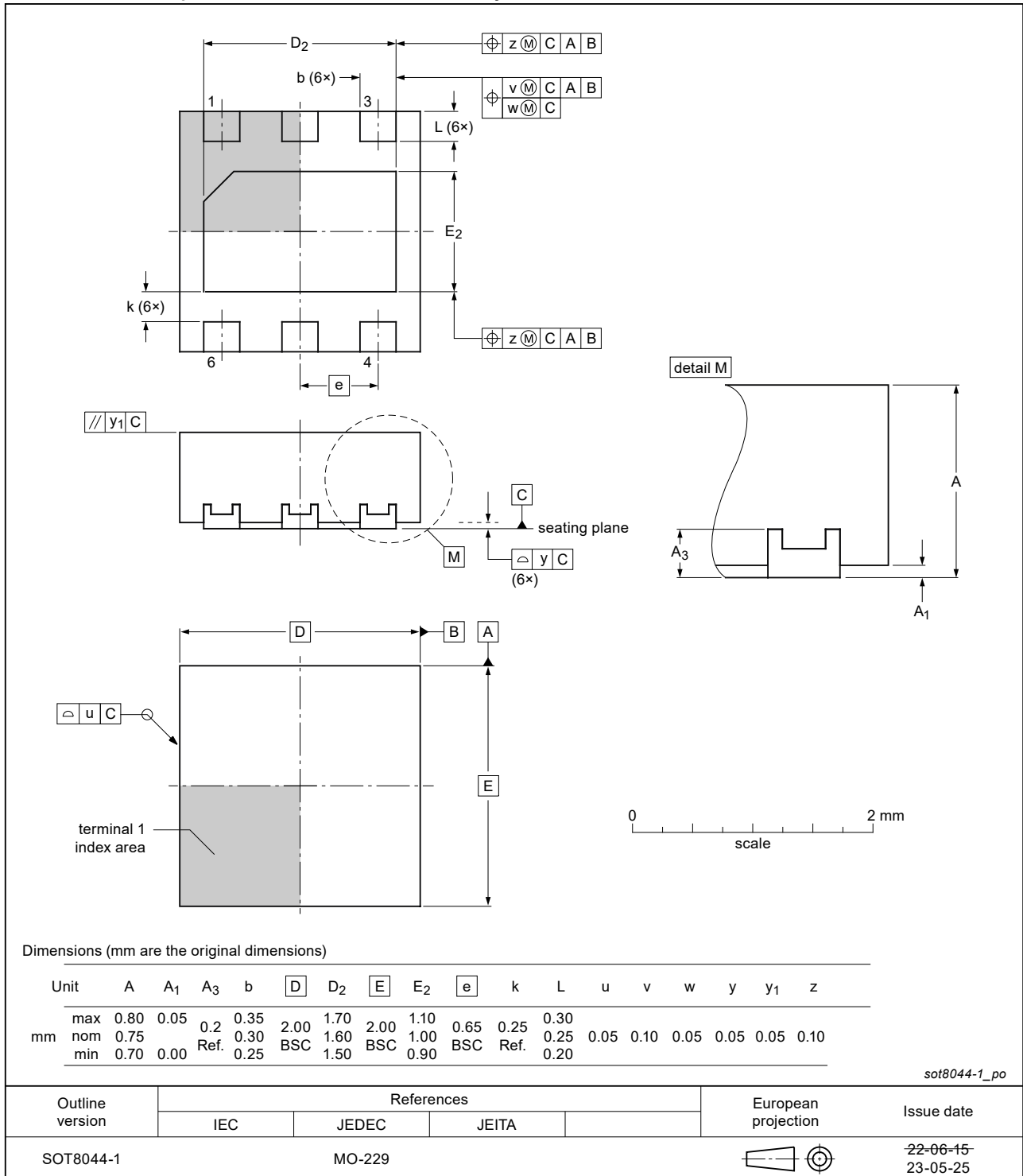


Fig. 31. Package outline SOT8044-1 (HWSO6)

18. Abbreviations

Table 11. Abbreviations

Acronym	Description
CDM	Charged Device Model
CMOS	Complementary Metal Oxide Semiconductor
DUT	Device Under Test
ESD	ElectroStatic Discharge
HBM	Human Body Model
TTL	Transistor-Transistor Logic

19. Revision history

Table 12. Revision history

Document ID	Release date	Data sheet status	Change notice	Supersedes
NPS4053 v.1.3	20230629	Product data sheet	-	-

20. Legal information

Data sheet status

Document status [1][2]	Product status [3]	Definition
Objective [short] data sheet	Development	This document contains data from the objective specification for product development.
Preliminary [short] data sheet	Qualification	This document contains data from the preliminary specification.
Product [short] data sheet	Production	This document contains the product specification.

- [1] Please consult the most recently issued document before initiating or completing a design.
- [2] The term 'short data sheet' is explained in section "Definitions".
- [3] The product status of device(s) described in this document may have changed since this document was published and may differ in case of multiple devices. The latest product status information is available on the internet at <https://www.nexperia.com>.

Definitions

Draft — The document is a draft version only. The content is still under internal review and subject to formal approval, which may result in modifications or additions. Nexperia does not give any representations or warranties as to the accuracy or completeness of information included herein and shall have no liability for the consequences of use of such information.

Short data sheet — A short data sheet is an extract from a full data sheet with the same product type number(s) and title. A short data sheet is intended for quick reference only and should not be relied upon to contain detailed and full information. For detailed and full information see the relevant full data sheet, which is available on request via the local Nexperia sales office. In case of any inconsistency or conflict with the short data sheet, the full data sheet shall prevail.

Product specification — The information and data provided in a Product data sheet shall define the specification of the product as agreed between Nexperia and its customer, unless Nexperia and customer have explicitly agreed otherwise in writing. In no event however, shall an agreement be valid in which the Nexperia product is deemed to offer functions and qualities beyond those described in the Product data sheet.

Disclaimers

Limited warranty and liability — Information in this document is believed to be accurate and reliable. However, Nexperia does not give any representations or warranties, expressed or implied, as to the accuracy or completeness of such information and shall have no liability for the consequences of use of such information. Nexperia takes no responsibility for the content in this document if provided by an information source outside of Nexperia.

In no event shall Nexperia be liable for any indirect, incidental, punitive, special or consequential damages (including - without limitation - lost profits, lost savings, business interruption, costs related to the removal or replacement of any products or rework charges) whether or not such damages are based on tort (including negligence), warranty, breach of contract or any other legal theory.

Notwithstanding any damages that customer might incur for any reason whatsoever, Nexperia's aggregate and cumulative liability towards customer for the products described herein shall be limited in accordance with the Terms and conditions of commercial sale of Nexperia.

Right to make changes — Nexperia reserves the right to make changes to information published in this document, including without limitation specifications and product descriptions, at any time and without notice. This document supersedes and replaces all information supplied prior to the publication hereof.

Suitability for use — Nexperia products are not designed, authorized or warranted to be suitable for use in life support, life-critical or safety-critical systems or equipment, nor in applications where failure or malfunction of an Nexperia product can reasonably be expected to result in personal

injury, death or severe property or environmental damage. Nexperia and its suppliers accept no liability for inclusion and/or use of Nexperia products in such equipment or applications and therefore such inclusion and/or use is at the customer's own risk.

Quick reference data — The Quick reference data is an extract of the product data given in the Limiting values and Characteristics sections of this document, and as such is not complete, exhaustive or legally binding.

Applications — Applications that are described herein for any of these products are for illustrative purposes only. Nexperia makes no representation or warranty that such applications will be suitable for the specified use without further testing or modification.

Customers are responsible for the design and operation of their applications and products using Nexperia products, and Nexperia accepts no liability for any assistance with applications or customer product design. It is customer's sole responsibility to determine whether the Nexperia product is suitable and fit for the customer's applications and products planned, as well as for the planned application and use of customer's third party customer(s). Customers should provide appropriate design and operating safeguards to minimize the risks associated with their applications and products.

Nexperia does not accept any liability related to any default, damage, costs or problem which is based on any weakness or default in the customer's applications or products, or the application or use by customer's third party customer(s). Customer is responsible for doing all necessary testing for the customer's applications and products using Nexperia products in order to avoid a default of the applications and the products or of the application or use by customer's third party customer(s). Nexperia does not accept any liability in this respect.

Limiting values — Stress above one or more limiting values (as defined in the Absolute Maximum Ratings System of IEC 60134) will cause permanent damage to the device. Limiting values are stress ratings only and (proper) operation of the device at these or any other conditions above those given in the Recommended operating conditions section (if present) or the Characteristics sections of this document is not warranted. Constant or repeated exposure to limiting values will permanently and irreversibly affect the quality and reliability of the device.

Terms and conditions of commercial sale — Nexperia products are sold subject to the general terms and conditions of commercial sale, as published at <http://www.nexperia.com/profile/terms>, unless otherwise agreed in a valid written individual agreement. In case an individual agreement is concluded only the terms and conditions of the respective agreement shall apply. Nexperia hereby expressly objects to applying the customer's general terms and conditions with regard to the purchase of Nexperia products by customer.

No offer to sell or license — Nothing in this document may be interpreted or construed as an offer to sell products that is open for acceptance or the grant, conveyance or implication of any license under any copyrights, patents or other industrial or intellectual property rights.

Export control — This document as well as the item(s) described herein may be subject to export control regulations. Export might require a prior authorization from competent authorities.

Non-automotive qualified products — Unless this data sheet expressly states that this specific Nexperia product is automotive qualified, the product is not suitable for automotive use. It is neither qualified nor tested in accordance with automotive testing or application requirements. Nexperia accepts no liability for inclusion and/or use of non-automotive qualified products in automotive equipment or applications.

In the event that customer uses the product for design-in and use in automotive applications to automotive specifications and standards, customer (a) shall use the product without Nexperia's warranty of the product for such automotive applications, use and specifications, and (b) whenever customer uses the product for automotive applications beyond Nexperia's specifications such use shall be solely at customer's own risk, and (c) customer fully indemnifies Nexperia for any liability, damages or failed product claims resulting from customer design and use of the product for automotive applications beyond Nexperia's standard warranty and Nexperia's product specifications.

Translations — A non-English (translated) version of a document is for reference only. The English version shall prevail in case of any discrepancy between the translated and English versions.

Trademarks

Notice: All referenced brands, product names, service names and trademarks are the property of their respective owners.

Contents

1. General description	1
2. Features and benefits	1
3. Applications	1
4. Application circuit	1
5. Ordering information	2
6. Marking	2
7. Functional diagram	2
8. Pinning information	3
8.1. Pinning	3
8.2. Pin description	3
9. Limiting values	3
10. Recommended operating conditions	4
11. Thermal Information	4
12. Static characteristics	5
12.1. Typical characteristics	6
13. Functional description	9
13.1. Overview	9
13.1.1. Functional block diagram	9
13.2. Feature description	10
13.2.1. Overcurrent protection	10
13.2.2. Output short circuit protection (I_{LIMIT})	10
13.2.3. ILIM pin protection	11
13.2.4. Overtemperature protection	11
13.2.5. Reverse voltage protection	12
13.2.6. FAULT flag response	13
13.2.7. Undervoltage lockout (UVLO)	13
13.2.8. Enable (ON)	13
13.2.9. Adjustable current limit threshold	13
14. Application information	13
14.1. One-level current limit application	13
14.2. Two-level current limit circuit	14
14.3. Auto-retry configuration	14
14.4. Programming the current limit threshold via a resistor	15
15. Layout	17
15.1. Power supply recommendations	17
15.2. Layout guidelines	17
15.3. Layout example	17
16. Thermal considerations	18
17. Package outline	19
18. Abbreviations	20
19. Revision history	20
20. Legal information	21

© Nexperia B.V. 2023. All rights reserved

For more information, please visit: <http://www.nexperia.com>

For sales office addresses, please send an email to: salesaddresses@nexperia.com

Date of release: 29 June 2023