

MPTS

DC Link Metalized Polypropylene Film



FEATURES

High Capacitance - High Voltage - Low Profile

APPLICATIONS

Induction Heaters - DC link - AC/DC motor Drives - Solar and Wind inverters

Operating Temperature Range	-40°C to +85°C			
Capacitance Tolerance	+10% at 1 kHz, 25°C			
VDC	800	1000	1200	1400
VAC	230			
Dissipation Factor Tan δ at 100 Hz and 25°C	0.0002 MAX			
Insulation Resistance	≤5000 MΩxμF			
	After 1 minute of 100VDC applied between the terminals at 25°C			
Self Inductance	See part listing			
Dielectric Strength	Terminal to Terminal		Terminal to case	
	150% of VDC applied for 10 Seconds and 25°C		4KVAC at 50/60 Hz applied between the terminals and case for 60 Seconds and 25°C	
Construction	Metallized Polypropylene film			
Electrodes	Vacuum deposited Metal layers			
Coating	Flame retardant Solvent resistant plastic case (UL 94V-0) with epoxy end fill			
Impregnant	Silicone oil			
Lead terminations	Lead free tinned brass leads			

Americas / EU
Phone: 1-508-996-8561
Email: cdena@cde.com

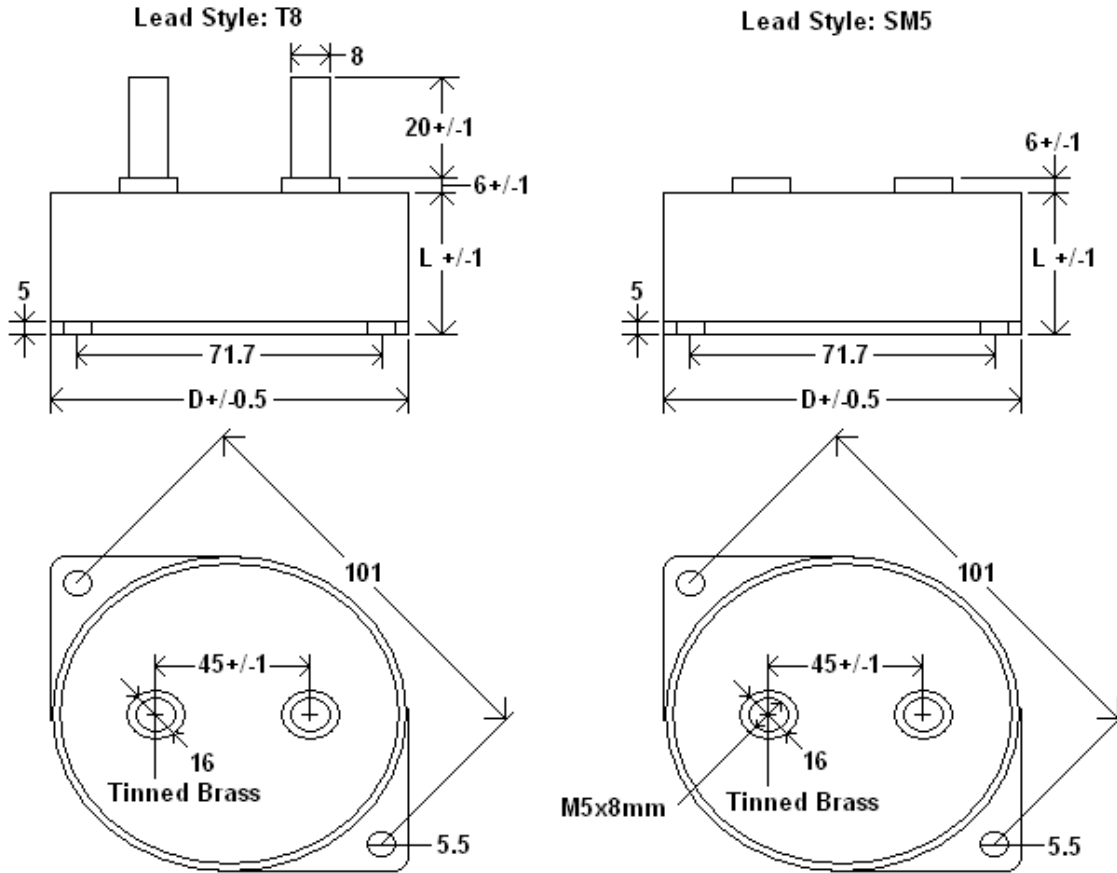


Asia
Phone: 852-2793-0931
Email: cdeasia@cde.com

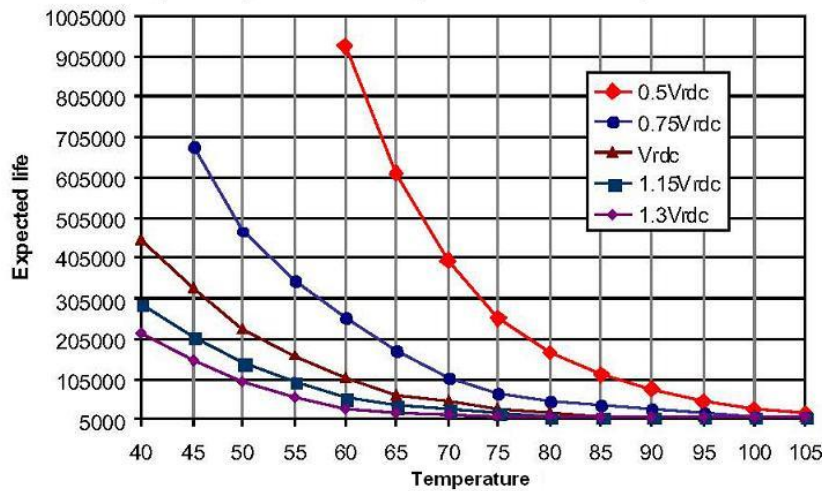
Sep-20



Lead style



Hotspot temperature vs expected life with respect to % Vdc



MPTS

Metallized Polypropylene
round tube with screw
terminals

WVDC	Capacitance (μF)	IC PART NUMBER	Resonant Frequency (kHz)	Maximum RMS Ripple Current (A) 10 kHz, +70°C	Typical ESR ($\text{m}\Omega$) 1 kHz, +25°C	Thermal Resistance (°C/W)	Dims DxL (mm)
800	100	107MPTS800KHA#	0	74	0.5	23	85x40
800	160	167MPTS800KHA#	0	73	0.8	24	85x51
800	220	227MPTS800KHB#	0	72	1	21	85x64
1000	66	666MPTS102KHA#	0	70	0.6	21	85x40
1000	100	107MPTS102KHA#	0	68	0.8	22	85x51
1000	140	147MPTS102KHB#	0	65	1	23	85x64
1200	47	476MPTS122KHA#	0	67	0.7	22	85x40
1200	70	706MPTS122KHA#	0	65	1	22	85x51
1200	100	107MPTS122KHB#	0	64	1.3	24	85x64
1400	33	336MPTS142KHA#	0	64	0.8	21	85x40
1400	52	526MPTS142KHA#	0	60	1.1	24	85x51
1400	70	706MPTS142KHB#	0	59	1.4	22	85x64